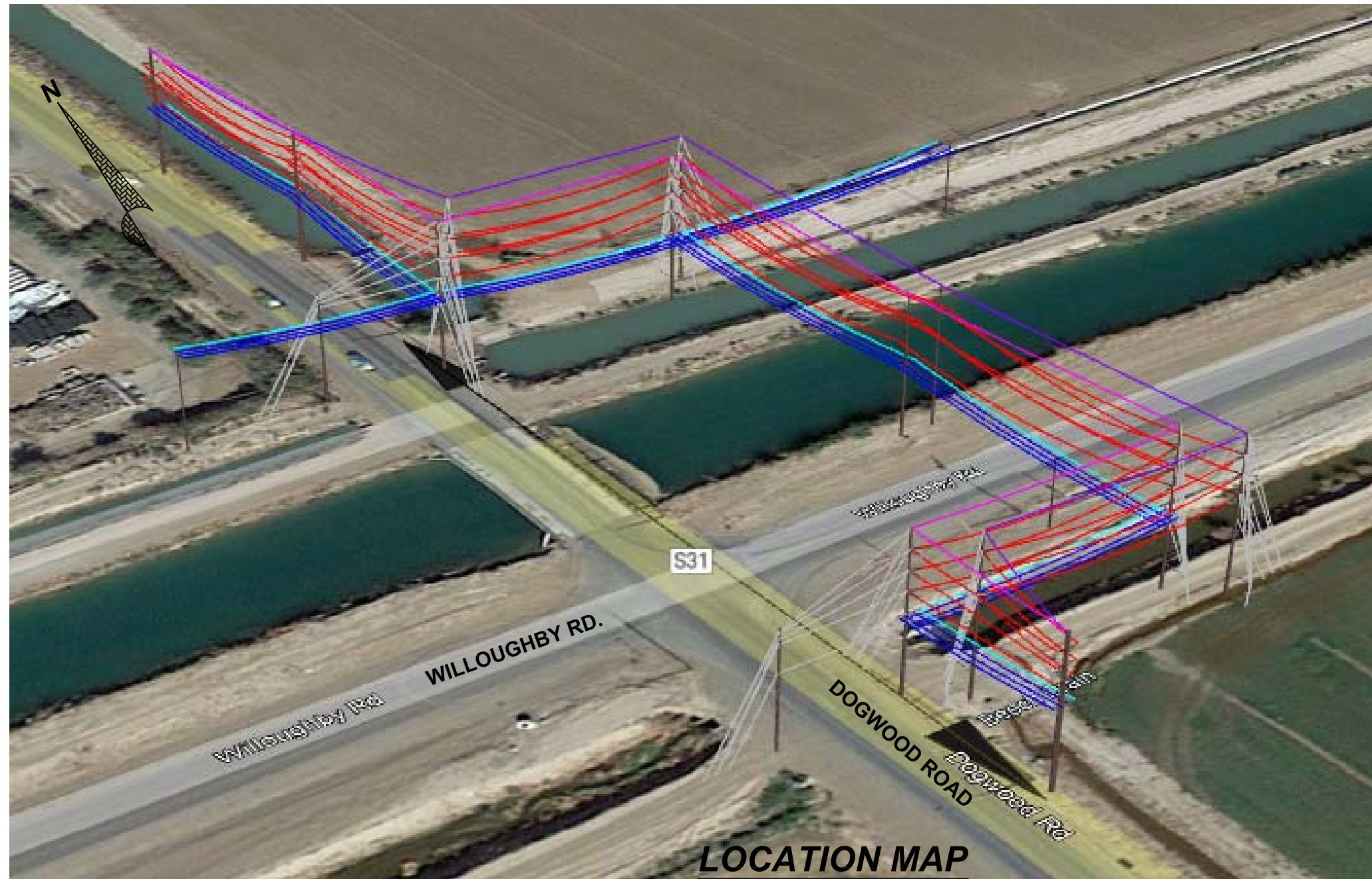


IID ENERGY

A DIVISION OF IMPERIAL IRRIGATION DISTRICT

**PROJECT: "PW/ED" 92 KV TRANSMISSION
LINE SHOE FLY
DOGWOOD ROAD BRIDGE CONSTRUCTION**



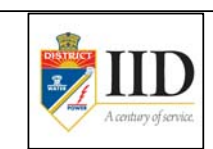
INDEX

DWG.	DESCRIPTION
P-01	COVER SHEET ISOMETRIC VIEW
PP-01 (3 SHEETS)	PLAN & PROFILE
WP-01 (20 SHEETS)	WOOD POLE DETAILS
ML-01 (6 SHEETS)	MATERIAL LIST (GENERAL)
SC-01 (5 SHEETS)	STRINGING CHARTS

LOCATION MAP

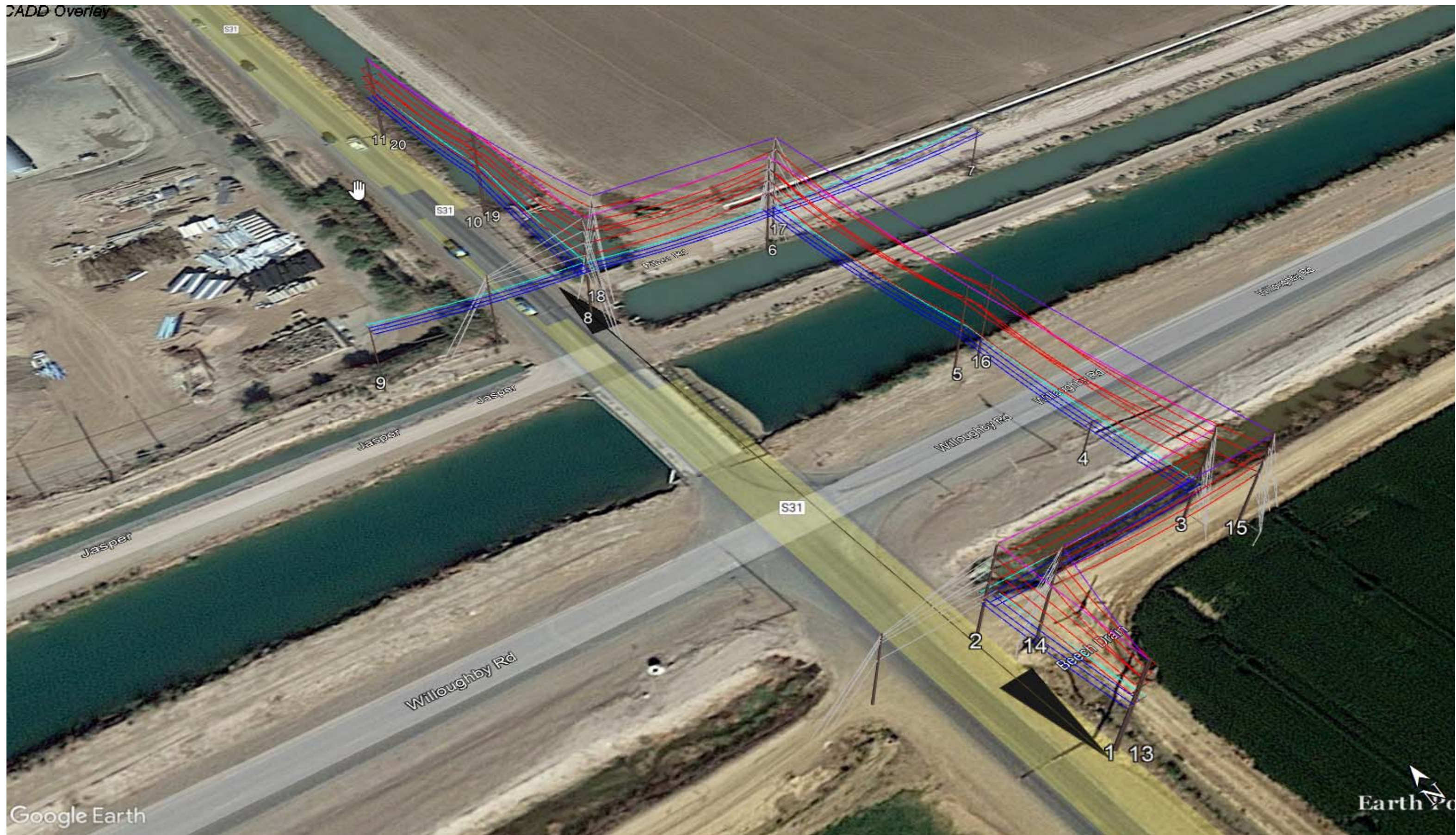
DSGN	GC	12/15/2021					
DRN	GC	12/15/2021					
CKD	CA	12/15/2021					
SCALE:	N.T.S.						
REV	REVISIONS	DATE	DRN	DSGN	CKD	APPD	REFERENCE DRAWINGS
1	ISSUED FOR CONSTRUCTION	2/10/2022	GC	GC	CA	CB	
0	ISSUED FOR REVIEW	12/15/2021	GC	GC			

FDR 11x17 DWG ONLY



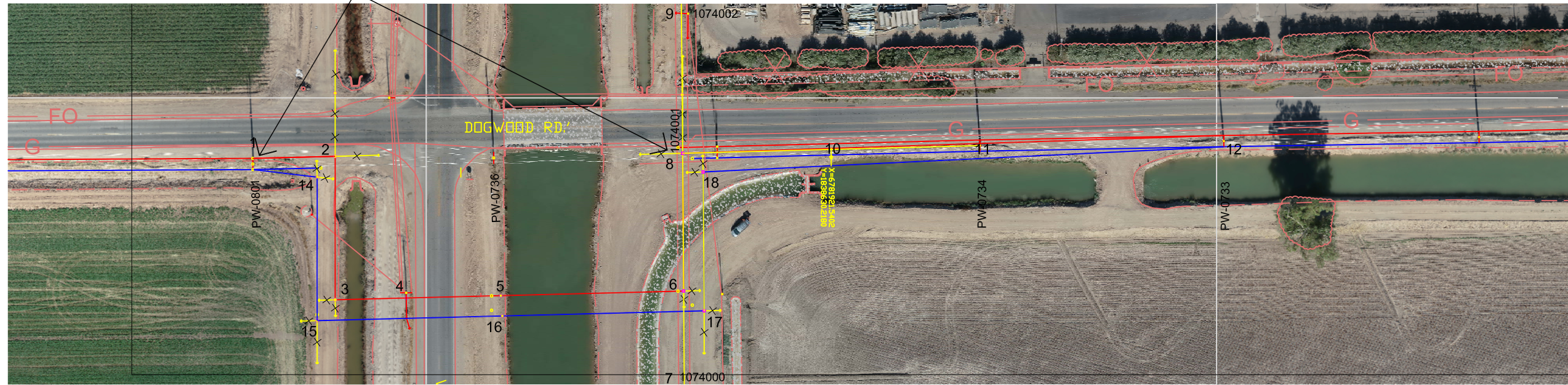
IMPERIAL IRRIGATION DISTRICT	JOB NUMBER	REV
92 KV "PW/ED" LINE SHOE FLY DOGWOOD ROAD BRIDGE	60130961	△
COVER SHEET	DRAWING NUMBER	P-01

CADD Overlay



Google Earth

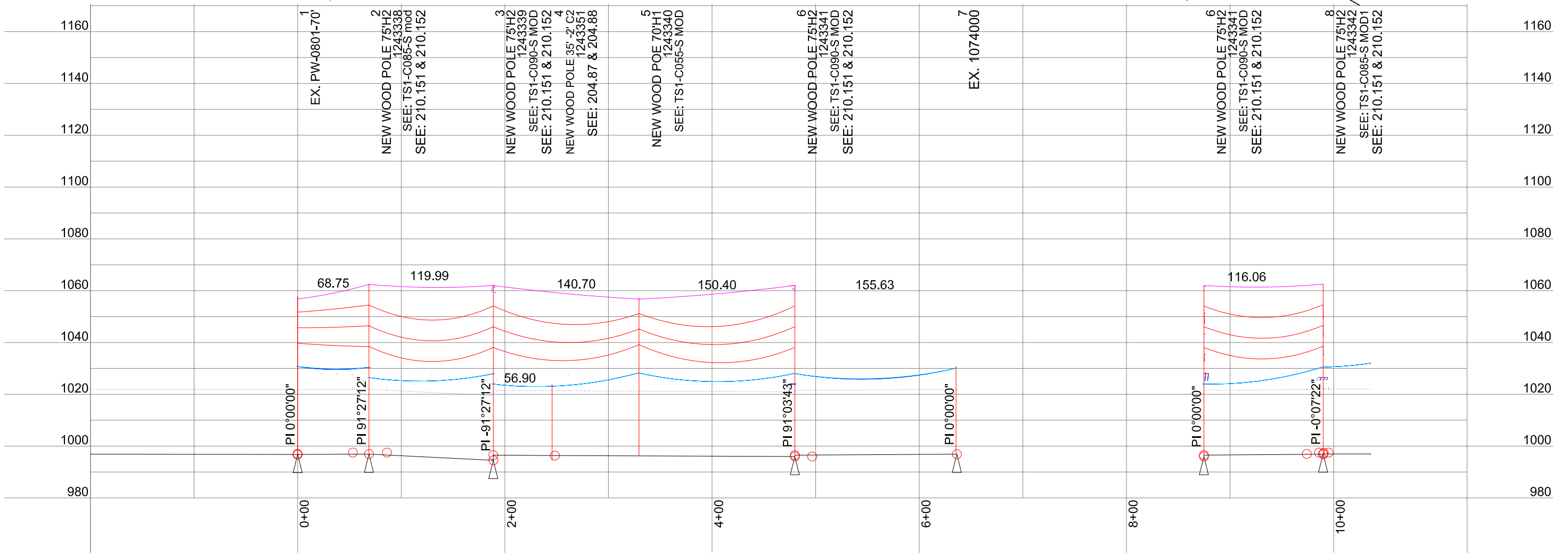
Earth 3D



REMOVE Transmission & Distribution wires
OP.G.W. Remains attached on existing poles

INSTALL Transmission & Distribution wires

INSTALL Transmission & Distribution wires



100.0 ft. Horiz. Scale
40.0 ft. Vert. Scale

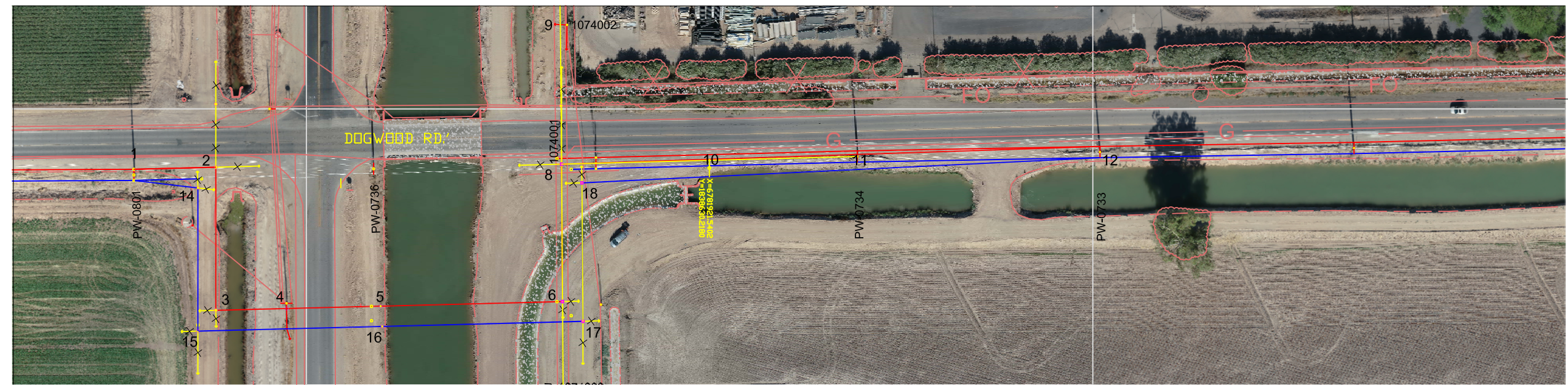
REV	REVISIONS	DATE	DRN	DSGN	CKD	APPD	REFERENCE DRAWINGS
1	ALIGNMENT MODIFIED	1/31/2022	GC	GC	CA	CB	
0	ISSUED FOR REVIEW	11/30/2021	GC	GC	CA	CB	PLAN AND PROFILE

DSGN	GC	11/30/2021
DRN	GC	11/30/2021
CKD	CA	11/30/2021
SCALE:	N.T.S.	

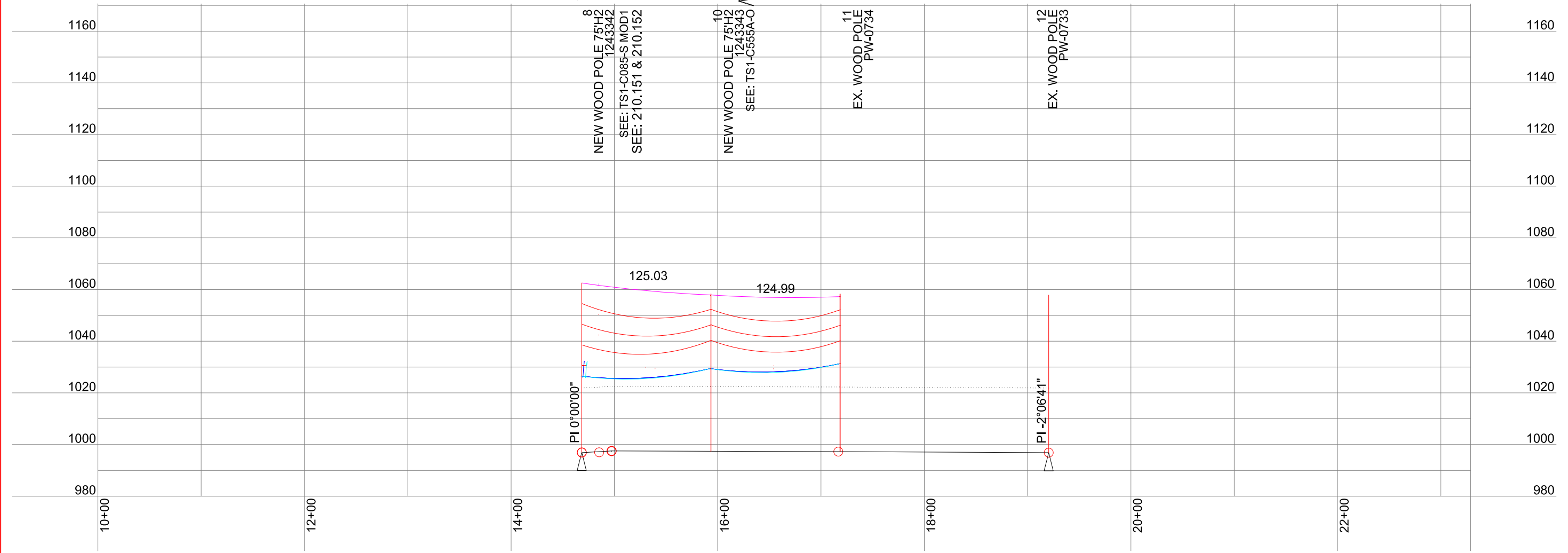


IMPERIAL IRRIGATION DISTRICT
SHOE FLY
92 KV "PW/ED" TRANSMISSION LINES
PLAN & PROFILE

SHEET 1 OF 3
DRAWING NUMBER PP-01



INSTALL Transmission & Distribution wires



100.0 ft. Horiz. Scale
40.0 ft. Vert. Scale

REV	REVISIONS	DATE	DRN	DSGN	CKD	APPD	REFERENCE DRAWINGS
1	ALIGNMENT MODIFIED	1/31/2022	GC	GC	CA	CB	
0	ISSUED FOR REVIEW	11/30/2021	GC	GC	CA	CB	PLAN AND PROFILE

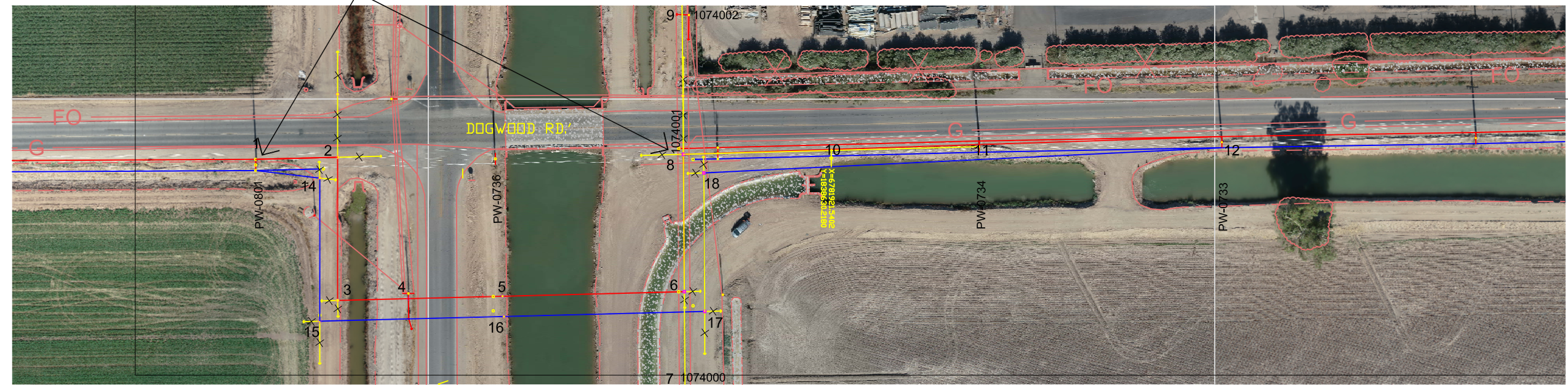
DSGN	GC	11/30/2021
DRN	GC	11/30/2021
CKD	CA	11/30/2021
SCALE:	N.T.S.	

FOR 22x34 DWG ONLY



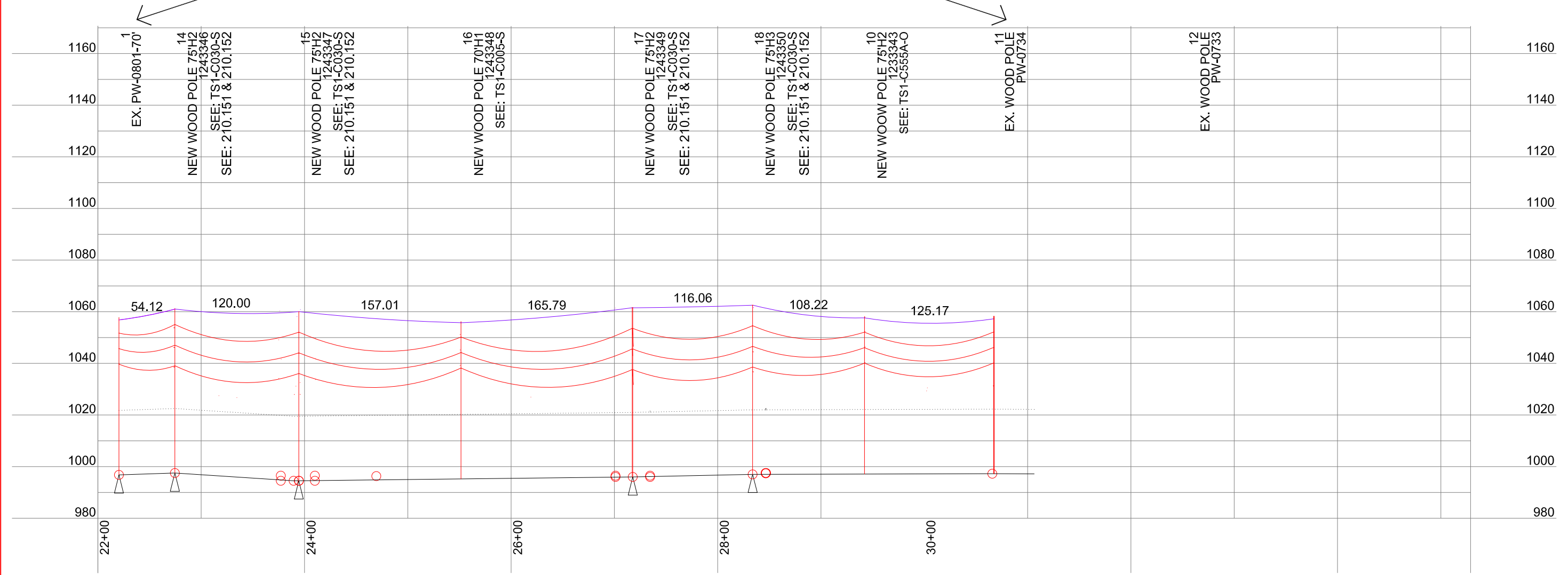
IMPERIAL IRRIGATION DISTRICT
SHOE FLY
92 KV "PW/ED" TRANSMISSION LINES
PLAN & PROFILE

SHEET 2 OF 3
DRAWING NUMBER PP-01



REMOVE Transmission wires
OP.G.W. Remains attached on existing poles

INSTALL Transmission & Distribution wires



100.0 ft. Horiz. Scale
40.0 ft. Vert. Scale

REV	REVISIONS	DATE	DRN	DSGN	CKD	APPD	REFERENCE DRAWINGS
1	ALIGNMENT MODIFIED	1/31/2022	GC	GC	CA	CB	
0	ISSUED FOR REVIEW	11/30/2021	GC	GC	CA	CB	PLAN AND PROFILE

DSGN	GC	11/30/2021
DRN	GC	11/30/2021
CKD	CA	11/30/2021
SCALE:	N.T.S.	
FOR 22x34 DWG ONLY		

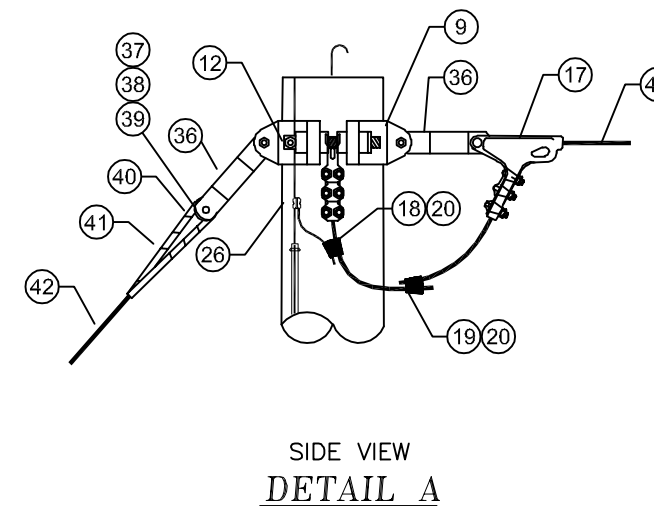
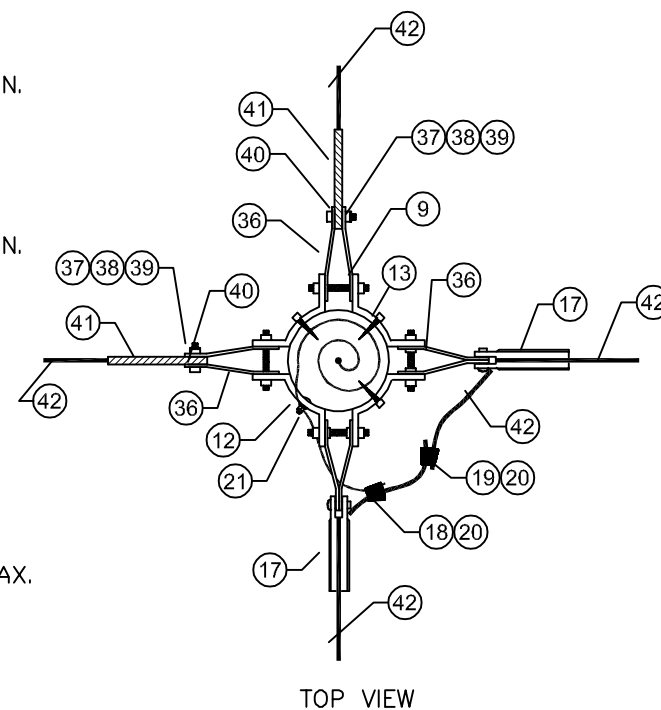
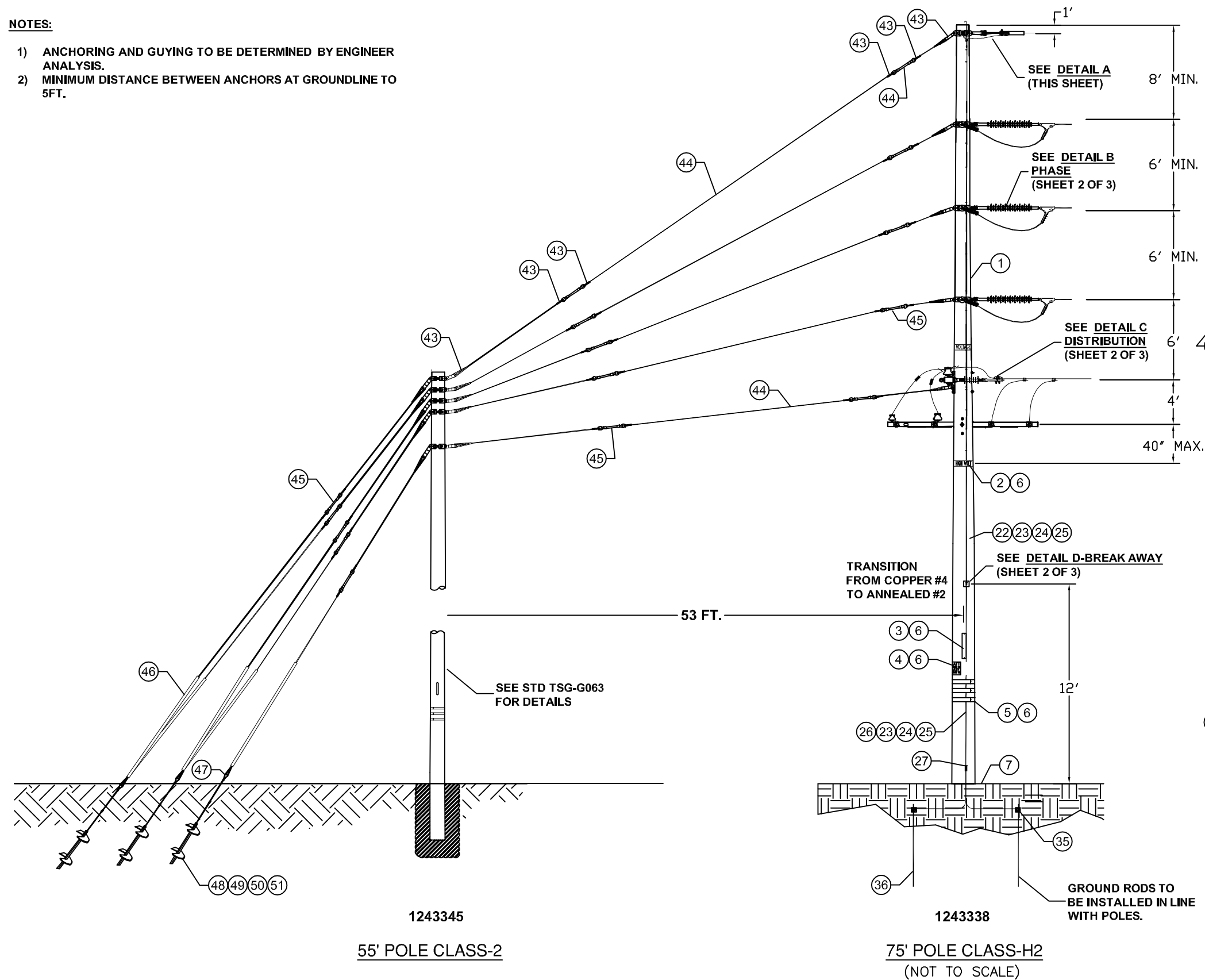


IMPERIAL IRRIGATION DISTRICT
SHOE FLY
92 kV "PW/ED" TRANSMISSION LINES
PLAN & PROFILE

SHEET 3 OF 3
DRAWING NUMBER PP-01

NOTES:

- 1) ANCHORING AND GUYING TO BE DETERMINED BY ENGINEER ANALYSIS.
- 2) MINIMUM DISTANCE BETWEEN ANCHORS AT GROUNDLINE TO 5FT.



1243345
55' POLE CLASS-2

1243338
75' POLE CLASS-H2
(NOT TO SCALE)

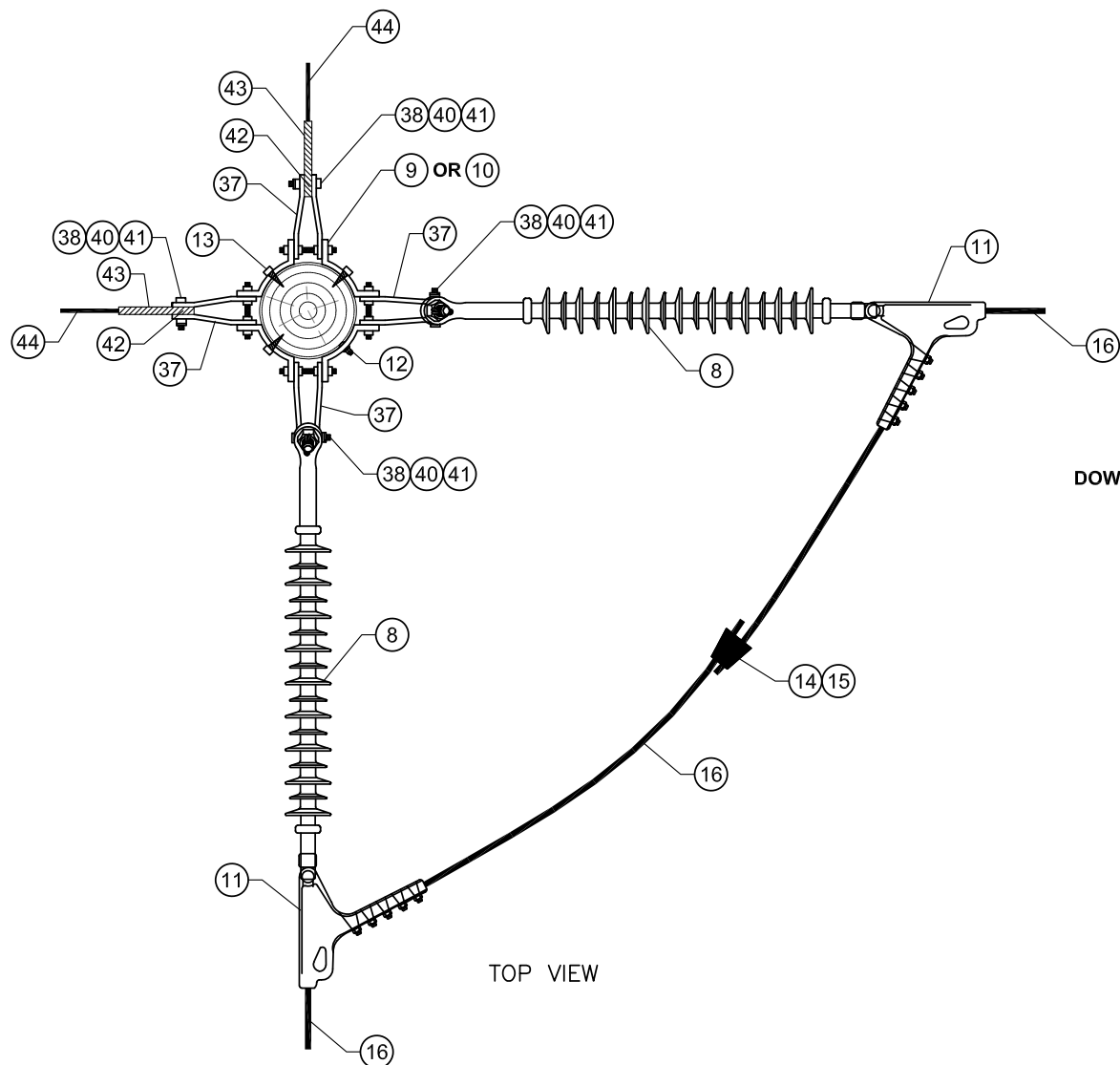
REV.	DESCRIPTION	DATE	BY	REV.	DESCRIPTION	DATE	BY
1	REDUCE PHASE CLEARANCES	03/08/22	CA				

DRN	JC	12/21/21
CKD	GC	12/21/21
APR	CA	12/21/21
SCALE: NONE		

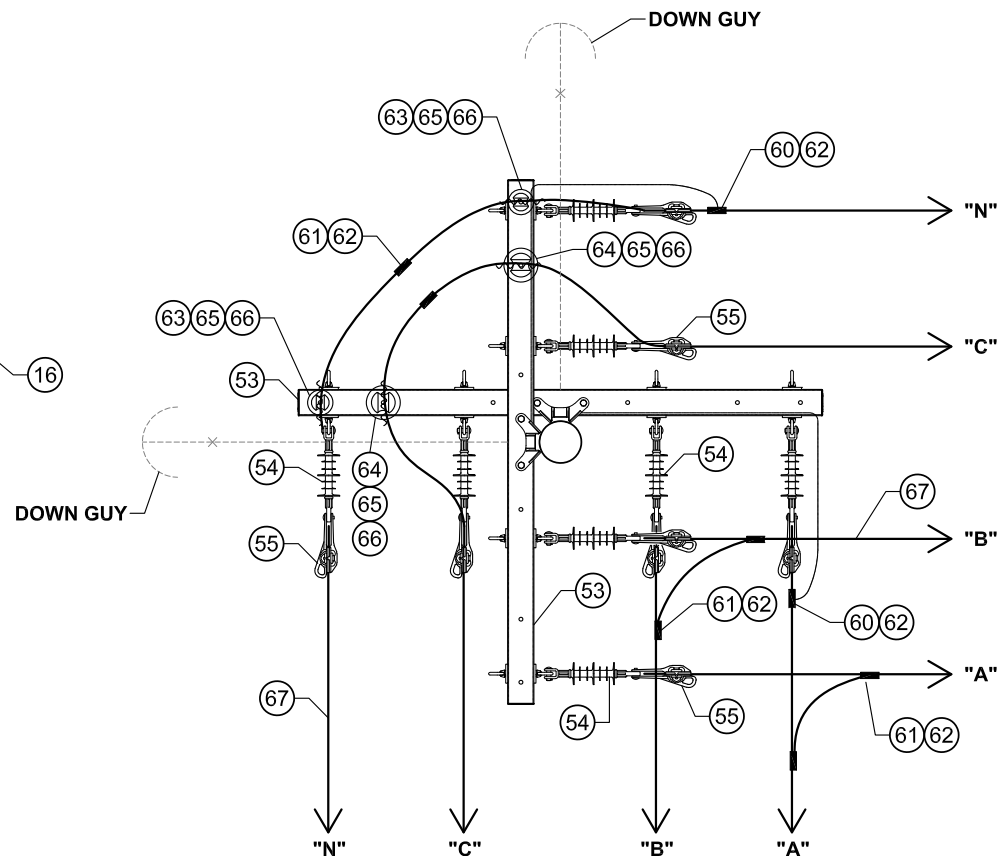


IMPERIAL IRRIGATION DISTRICT
TRANSMISSION STANDARDS
92KV COMPLETE ARRANGEMENTS
CORNER CONFIG. W/POLYMER INS. W/DISTRIB. UNDERBUILT
FOR 795 AAC *ARBUTUS COND. & DP.G.W.

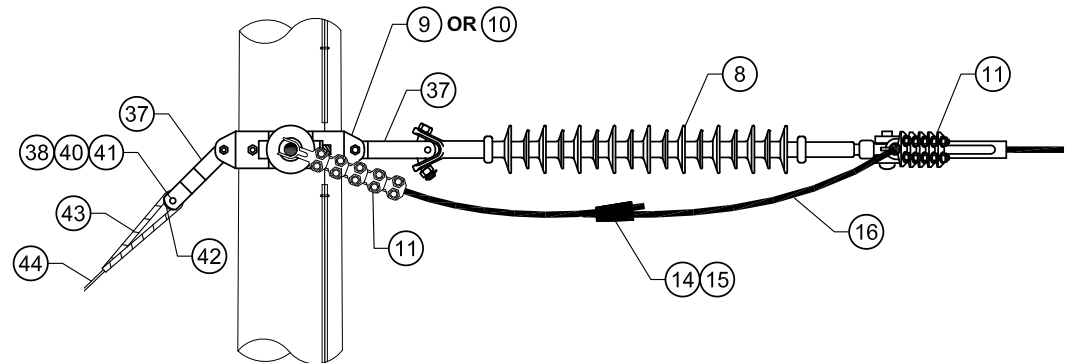
SHEET NO.	REV
1/3	1
STANDARD NO. TS1-C085-S MOD	



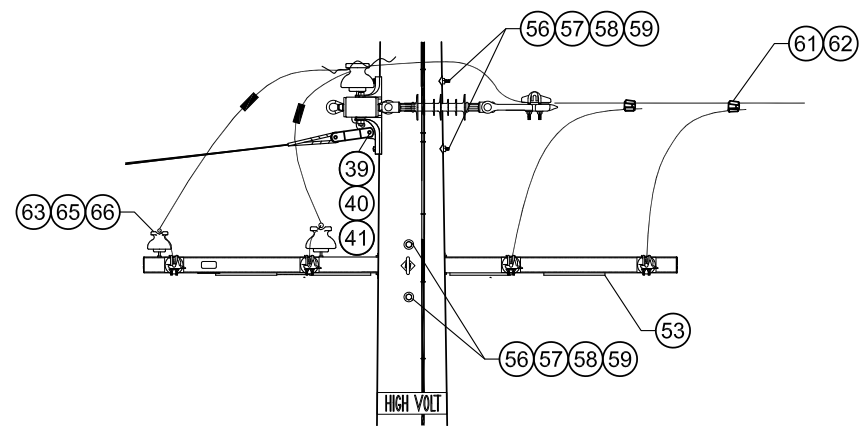
TOP VIEW



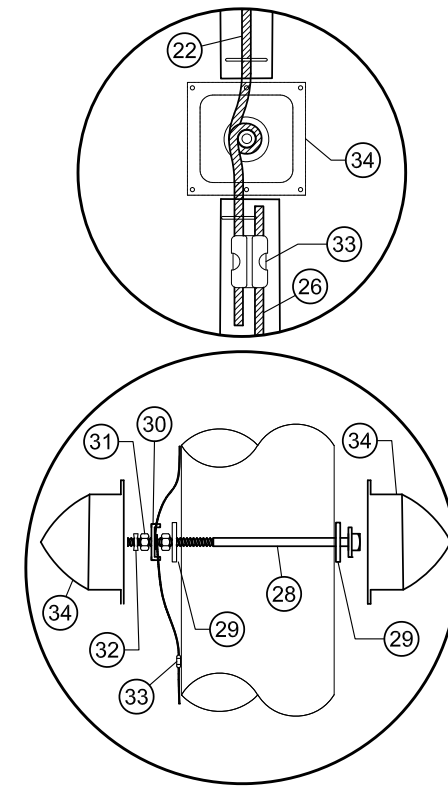
TOP VIEW
DETAIL C-DISTRIBUTION



SIDE VIEW
DETAIL B-PHASE



SIDE VIEW
DETAIL C-DISTRIBUTION



DETAIL D-BREAK AWAY

REV.	DESCRIPTION	DATE	BY	REV.	DESCRIPTION	DATE	BY
1							

DRN	JC	12/21/21
CKD	GC	12/21/21
APR	CA	12/21/21
SCALE: NONE		



IMPERIAL IRRIGATION DISTRICT
TRANSMISSION STANDARDS
92KV COMPLETE ARRANGEMENTS
CORNER CONFIG. W/POLYMER INS. W/DISTRIB. UNDERBUILT
FOR 795 AAC 'ARBUTUS COND. & DP.G.V.

SHEET NO.	REV
2/3	1
STANDARD NO.	
TS1-C085-S mod	

MATERIAL LIST

WOOD POLE

ITEM	STOCK#	MATERIAL	QUANTITY
1	40004739	POLE - WOOD - 75FT. CL-H2	1
2	40006018	SIGN-(HIGH VOLTAGE) YELLOW 4 X 30"	1
3	40006828	HOLDER-MARKER, 8 POS. 8.25 X 1.67	1
4	40006647	SIGN-POLE ATTENTION NO VALUE WIRE	1
5	40003995	STRIP-VISIBILITY 2 X 14" TYPE-L YELLOW	6
6	40003726	NAILS,ROOFING,GALV.(180 PCS/LB), EACH/LB	1
7	NSI	ROAD BASE, WOOD POLE COMPACTION; CUBIC YARD.	1

INSULATOR ASSEMBLY

ITEM	STOCK#	MATERIAL	QUANTITY
8	40003559	INSULATOR-SUSPENSION POLYMER 115KV	6
9	40002863	BAND-POLE 9 TO 12 INCH HUGHES 3105.6	2
10	40002865	BAND-POLE 11 TO 14 INCH HUGHES 3105.7	2
11	40003134	CLAMP-DE STRAIN W/SKT EYE 795/954MCM AAC	6
12	40003538	CLIP-GROUND WIRE 1/2"	4
13	40003829	SCREW-LAG,1/2 X 4-1/2 INCH GALVANIZED	12
14	40003411	AMPACT-ALUMINUM TAP-Y 795-715	3
15	40003374	AMPACT-CARTRIDGE-YELLOW #69338-4	3
16	40004311	WIRE-ALUM 795MCM CL37 STR BARE"ARBUTUS"	-

STATIC

ITEM	STOCK#	MATERIAL	QUANTITY
17	40007766	CLAMP-STRAIN DE - 3/8" STATIC WIRE	1
18	40003381	AMPACT-ALUMINUM TAP-B 4/0-4 #600456	1
19	40003376	AMPACT-ALUM TAP-B 1/0-1/0,2/0-2,1/0-2	1
20	40003372	AMPACT CARTRIDGE-BLUE CATALOG #69339-1	2

GROUNDING


ITEM	STOCK#	MATERIAL	QUANTITY
22	40004221	WIRE-COPPER #4 SOL S.D. BARE 50 LB COIL	12 lbs
23	40003934	STAPLE-GROUND WIRE 1-1/4X1/4 COPPERWELD	36
24	40006581	STAPLE-MOULDING BARBED GALV 2" X 5/8"	135
25	40006582	MOULDING-GROUND WIRE PLASTIC 1/2" X 8'	9
26	40006591	WIRE-COPPER WELD 2AWG STR 7W 40% CND	15 FT
27	40003263	CONNECTOR-COMPRESSION KEARNEY 302-82	2
28	40002953	BOLT-MACHINE 5/8" X 20" GALV.	1
29	40004191	WASHER-SQUARE 11/16" IN. 2 X 2 X 1/8"	2
30	40003540	CLIP-BONDING, HUGHES 2727.6	2
31	40003755	NUT-SQUARE MACHINE 5/8" GALV.	1
32	40003760	NUT-LOCK, MF TYPE 5/8 IN. SQUARE GALV	1
33	40006725	CONNECTOR-COMPRESSION KEARNEY 304-82	1
34	40004759	COVER TRANSFORMER BOLT	2
35	40003117	CLAMP-GROUND ROD 5/8 INCH	2
36	40003814	ROD-GROUND 5/8 INCH X 8 FOOT	2

GUYING

ITEM	STOCK#	MATERIAL	QUANTITY
37	40003613	LINK-CONNECTING FOR POLE BANDS HUGHES 3152	56
38	40002967	BOLT-MACHINE 7/8 X 3 GALVANIZED	26
39	40002969	BOLT-MACHINE 7/8 X 4" GALV HUGHES B84-2	2
40	40004190	WASHER-ROUND 15/16 IN. (7/8)	28
41	40003762	NUT-LOCK, MF TYPE 7/8 IN. SQUARE GALV.	28
42	40003826	ROLLER-GUY FOR POLE BANDS HUGHES 28082	20
43	40003519	GRIP-STEEL GUY 3/8 IN. GALVANIZED	66
44	40004329	WIRE-GUY 3/8"XTRA-HI STRGTH GALV CLASS A	950
45	40006689	INSULATOR-STRAIN FIBERGLASS 30M#	20
46	40003506	GUARD GUY, PLASTIC YELLOW.	10
47	40002838	ATTACHMENT-TRIPLEYE 1" FOR ANCHOR RODS	8
48	40002833	ROD-ANCHOR EXTENSION, 1" X 3-1/2 FOOT	8
49	40002835	COUPLER-ANCHOR EXTENSION ROD, 1" SIZE	8
50	40006640	ROD-ANCHOR EXT, 1" X 7 FT, CORR PROT	8
51	40002832	ANCHOR-10 INCH DOUBLE HELIX	8
52	40003565	INSULATOR-STRAIN, GUY 120 INCH X 30,000#	1

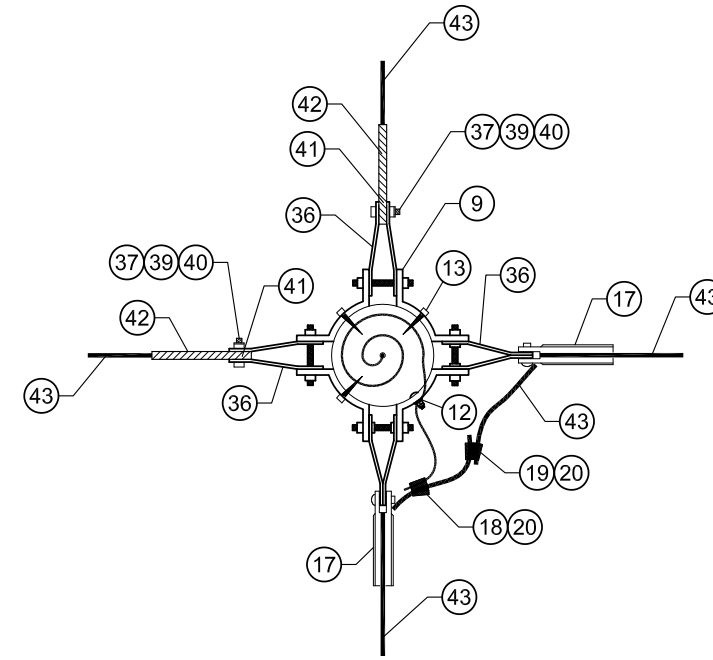
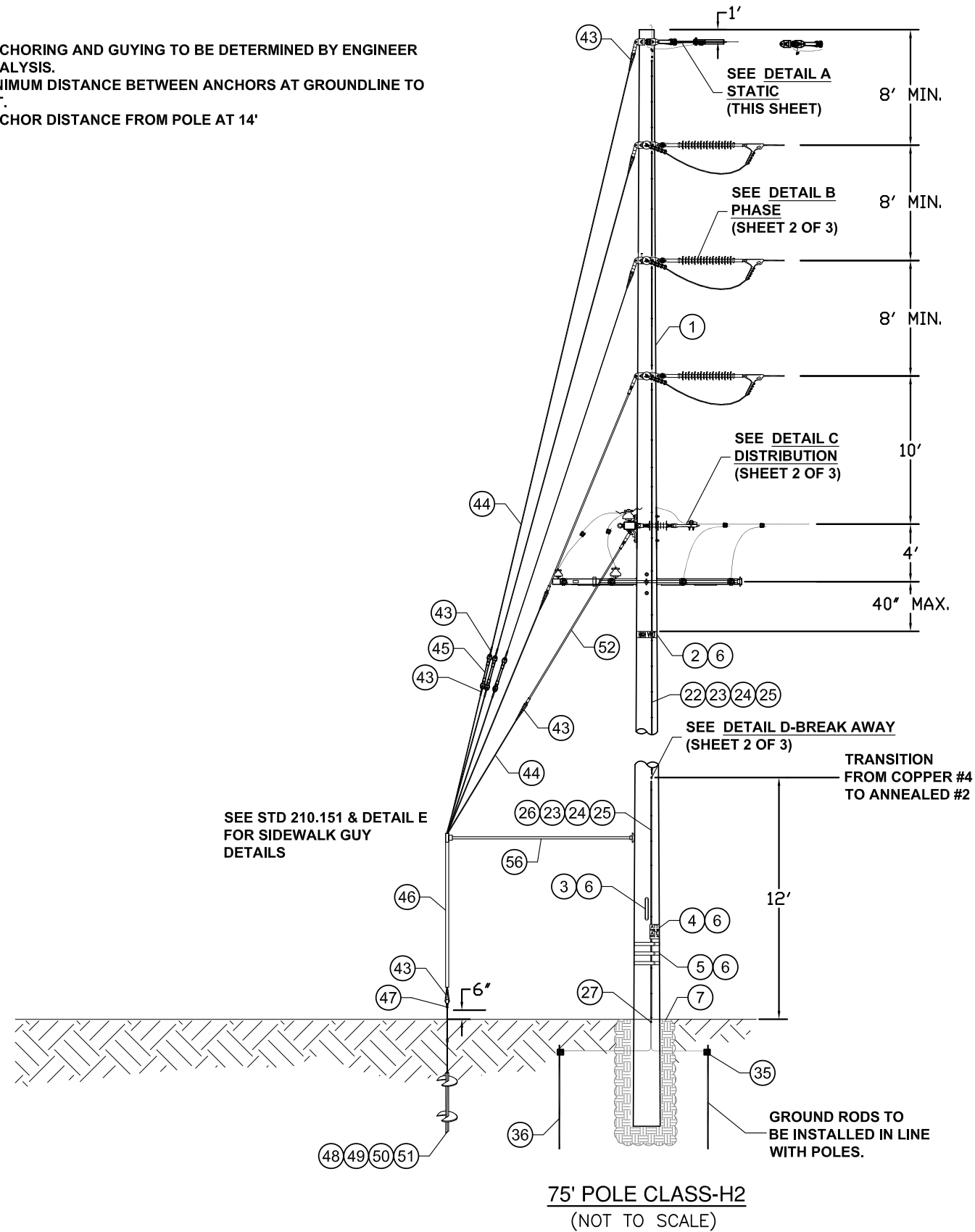
DISTRIBUTION

ITEM	STOCK#	MATERIAL	QUANTITY
53	40006659	DEAD END-ARM ASSM. 10 FT FIBERGLASS	2
54	40003560	INSULATOR-D.E. DISTRIB. POLYMER, 15 KV	8
55	40003128	CLAMP-STRAIN DE STR CLEVIS #2-477 MCM AL	8
56	40002964	BOLT-MACHINE 3/4 X 18 GALVANIZED	4
57	40004195	WASHER-SQ CURVED 13/16" 4 X 4 X 1/4 IN.	4
58	40003765	WASHER-LOCK DBLE COIL SPRING 3/4" GALV	4
59	40003761	NUT-LOCK, MF TYPE 3/4 IN SQUARE	4
60	40003398	AMPACT-ALUM TAP-Y 397.4 TO 3/0 AAC	2
61	40003419	AMPACT-ALUM TAP-Y 397-397 MCM AL STRD	6
62	40003374	AMPACT-CARTRIDGE-YELLOW #69338-4	8
63	40003561	INSULATOR-PIN TYPE F-NECK WHITE 55-4	2
64	40003570	INSULATOR-PIN TYPE 14.4 KV F-NECK GREY	2
65	40003590	PIN-INSUL.LG SHANK 5/8X11-1/2" W/NUTS	4
66	40004680	TIE-DIST. 397.5 MCM AAC W/"F" NECK INS.	4
67	40004310	WIRE-ALUM 397.5MCM 19STR AA BARE"CANNA"	-

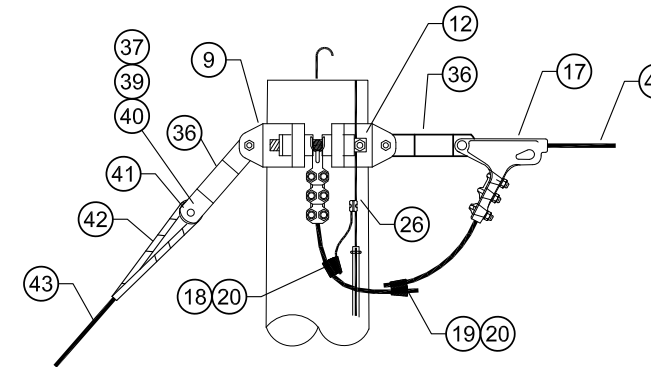
REV.	DESCRIPTION	DATE	BY	REV.	DESCRIPTION	DATE	BY	DRN	JC	12/02/21		IMPERIAL IRRIGATION DISTRICT	SHEET NO.	REV	
								CKD	GC	12/02/21			TRANSMISSION STANDARDS	3/3	1
								APR	CA	12/02/21			92KV COMPLETE ARRANGEMENTS		
								SCALE: NONE					CORNER CONFIG. W/POLYMER INS. W/DISTRIB. UNDERBUILT FOR 795 AAC 'ARBUTUS COND. & DP.G.W.	TS1-C085-S	mod

NOTES:

- 1) ANCHORING AND GUYING TO BE DETERMINED BY ENGINEER ANALYSIS.
- 2) MINIMUM DISTANCE BETWEEN ANCHORS AT GROUNDLINE TO 5FT.
- 3) ANCHOR DISTANCE FROM POLE AT 14'



TOP VIEW



SIDE VIEW
DETAIL A-STATIC

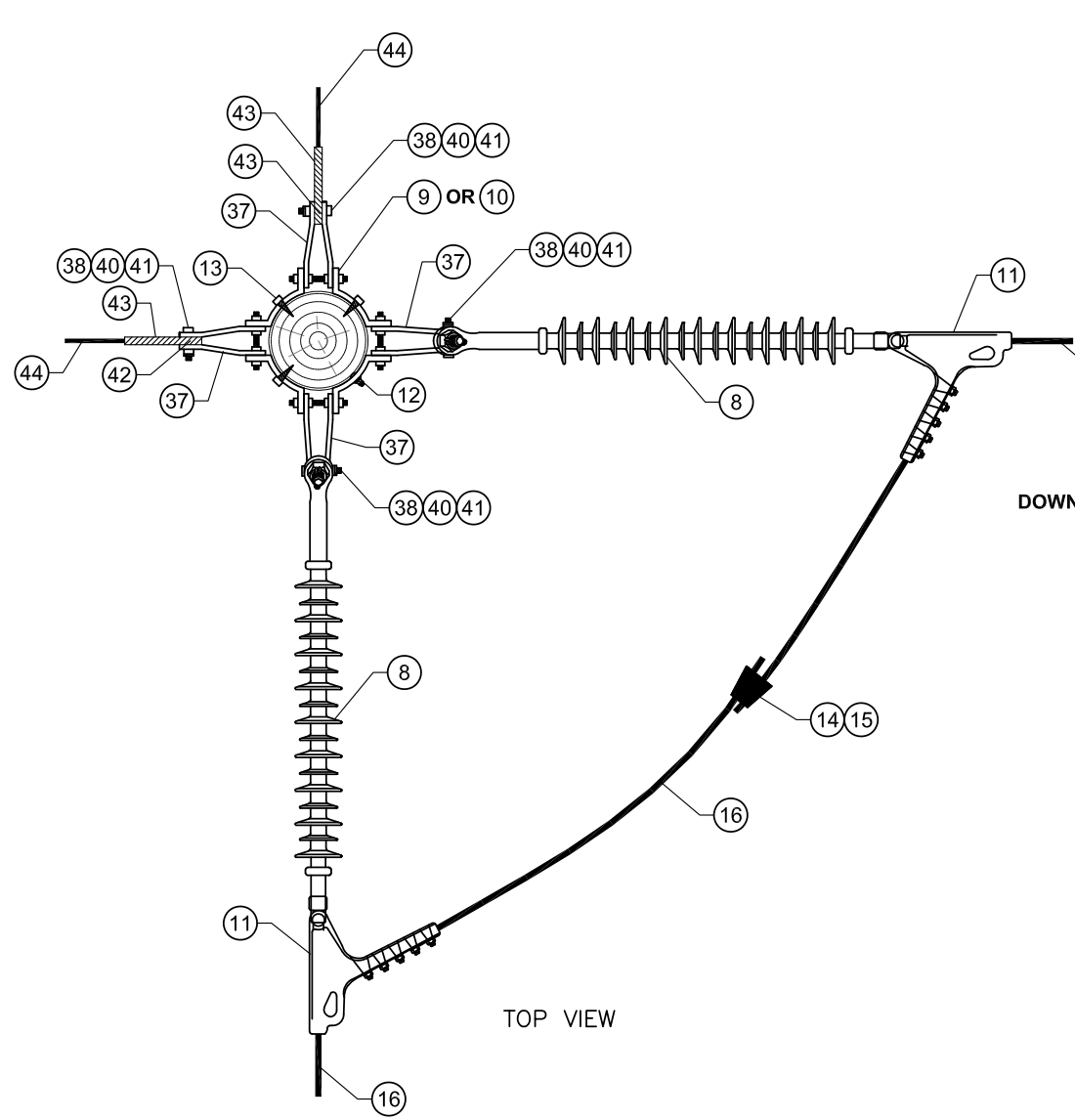
REV.	DESCRIPTION	DATE	BY	REV.	DESCRIPTION	DATE	BY

DRN	JC	12/08/21
CKD	GC	12/08/21
APR	CA	12/08/21
SCALE: NONE		

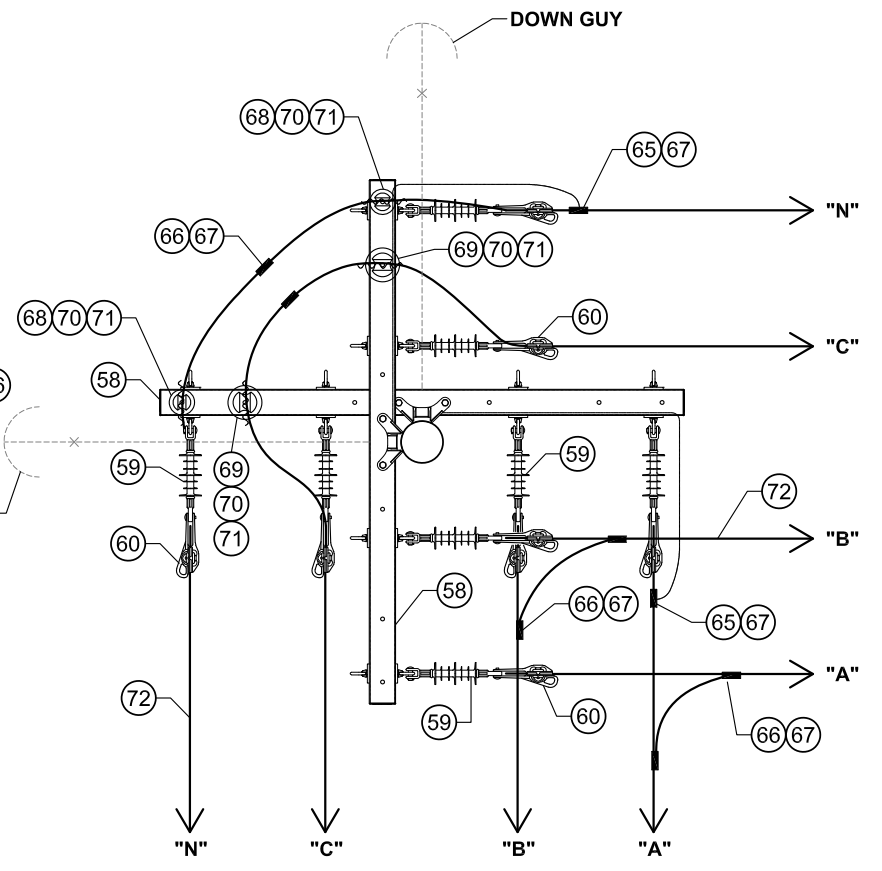


IMPERIAL IRRIGATION DISTRICT
TRANSMISSION STANDARDS
92KV COMPLETE ARRANGEMENTS
CORNER CONFIG. W/POLYMER INS. W/DISTRIB. UNDERBUILT
FOR 795 AAC 'ARBUTUS COND. & DP.G.W.

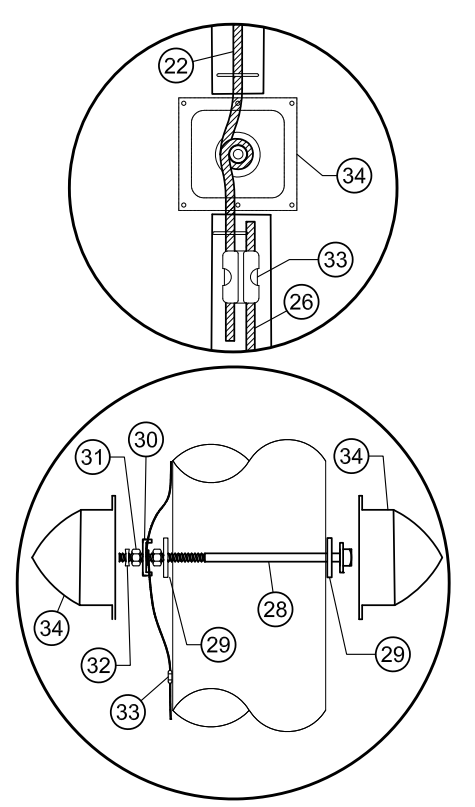
SHEET NO.	REV
1/3	1
STANDARD NO.	
TS1-C090-S MOD	



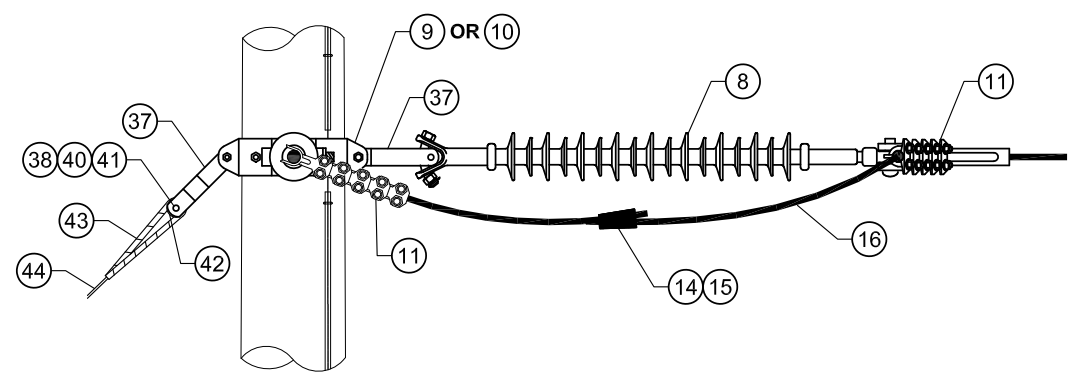
TOP VIEW



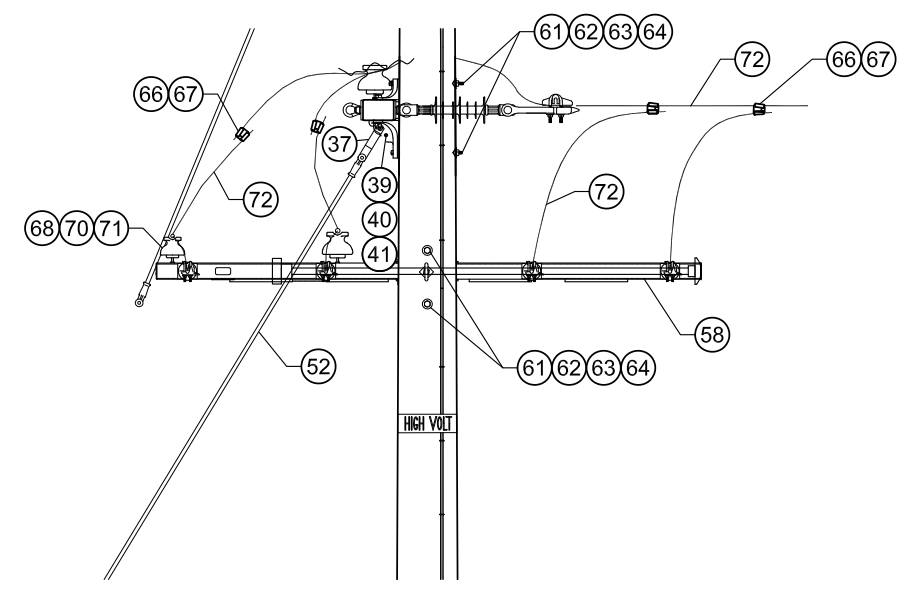
TOP VIEW



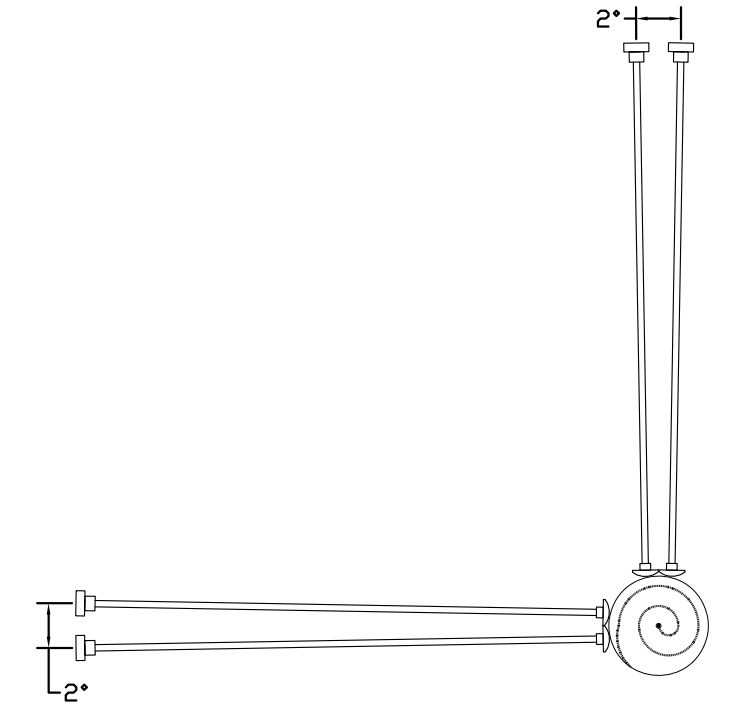
DETAIL D-BREAK AWAY



SIDE VIEW
DETAIL B-PHASE



SIDE VIEW
DETAIL C-DISTRIBUTION



DETAIL E-SIDEWALK GUY

REV.	DESCRIPTION	DATE	BY	REV.	DESCRIPTION	DATE	BY

DRN	JC	12/08/21
CKD	GC	12/08/21
APR	CA	12/08/21
SCALE: NONE		



IMPERIAL IRRIGATION DISTRICT
TRANSMISSION STANDARDS
92KV COMPLETE ARRANGEMENTS
CORNER CONFIG. W/POLYMER INS. W/DISTRIB. UNDERBUILT
FOR 795 AAC ARBUTUS COND. & DP.G.W.

SHEET NO.	REV
2/3	1
STANDARD NO.	
TS1-C090-S MOD	

MATERIAL LIST

WOOD POLE

ITEM	STOCK#	MATERIAL	QUANTITY
1	40004739	POLE - WOOD - 75FT. CL-H2	1
2	40006018	SIGN-(HIGH VOLTAGE) YELLOW 4 X 30"	1
3	40006828	HOLDER-MARKER, 8 POS. 8.25 X 1.67	1
4	40006647	SIGN-POLE ATTENTION NO VALUE WIRE	1
5	40003995	STRIP-VISIBILITY 2 X 14" TYPE-L YELLOW	6
6	40003726	NAILS,ROOFING,GALV.(180 PCS/LB), EACH/LB	1
7	NSI	ROAD BASE, WOOD POLE COMPACTION; CUBIC YARD.	1

INSULATOR ASSEMBLY

ITEM	STOCK#	MATERIAL	QUANTITY
8	40003559	INSULATOR-SUSPENSION POLYMER 115KV	6
9	40002863	BAND-POLE 9 TO 12 INCH HUGHES 3105.6	2
10	40002865	BAND-POLE 11 TO 14 INCH HUGHES 3105.7	2
11	40003134	CLAMP-DE STRAIN W/SKT EYE 795/954MCM AAC	6
12	40003538	CLIP-GROUND WIRE 1/2"	4
13	40003829	SCREW-LAG,1/2 X 4-1/2 INCH GALVANIZED	12
14	40003411	AMPACT-ALUMINUM TAP-Y 795-715	3
15	40003374	AMPACT-CARTRIDGE-YELLOW #69338-4	3
16	40004311	WIRE-ALUM 795MCM CL37 STR BARE"ARBUTUS"	-

STATIC

ITEM	STOCK#	MATERIAL	QUANTITY
17	40007766	CLAMP-STRAIN DE - 3/8" STATIC WIRE	2
18	40003381	AMPACT-ALUMINUM WIRE TAP B 4/0-4	1
19	40003376	AMPACT-ALUM TAP-B 1/0-1/0,2/0-2,1/0-2	1
20	40003372	AMPACT-CARTRIDGE-BLUE #69338-1	2

GROUNDING


ITEM	STOCK#	MATERIAL	QUANTITY
22	40004221	WIRE-COPPER #4 SOL S.D. BARE 50 LB COIL	12 lbs
23	40003934	STAPLE-GROUND WIRE 1-1/4X1/4 COPPERWELD	36
24	40006581	STAPLE-MOULDING BARBED GALV 2" X 5/8"	135
25	40006582	MOULDING-GROUND WIRE PLASTIC 1/2" X 8'	9
26	40006591	WIRE-COPPER WELD 2AWG STR 7W 40% CND	15 FT
27	40003263	CONNECTOR-COMPRESSION KEARNEY 302-82	2
28	40002953	BOLT-MACHINE 5/8" X 20" GALV.	1
29	40004191	WASHER-SQUARE 11/16" IN. 2 X 2 X 1/8"	2
30	40003540	CLIP-BONDING, HUGHES 2727.6	2
31	40003755	NUT-SQUARE MACHINE 5/8" GALV.	1
32	40003760	NUT-LOCK, MF TYPE 5/8 IN. SQUARE GALV	1
33	40006725	CONNECTOR-COMPRESSION KEARNEY 304-82	1
34	40004759	COVER TRANSFORMER BOLT	2
35	40003117	CLAMP-GROUND ROD 5/8 INCH	2
36	40003814	ROD-GROUND 5/8 INCH X 8 FOOT	2

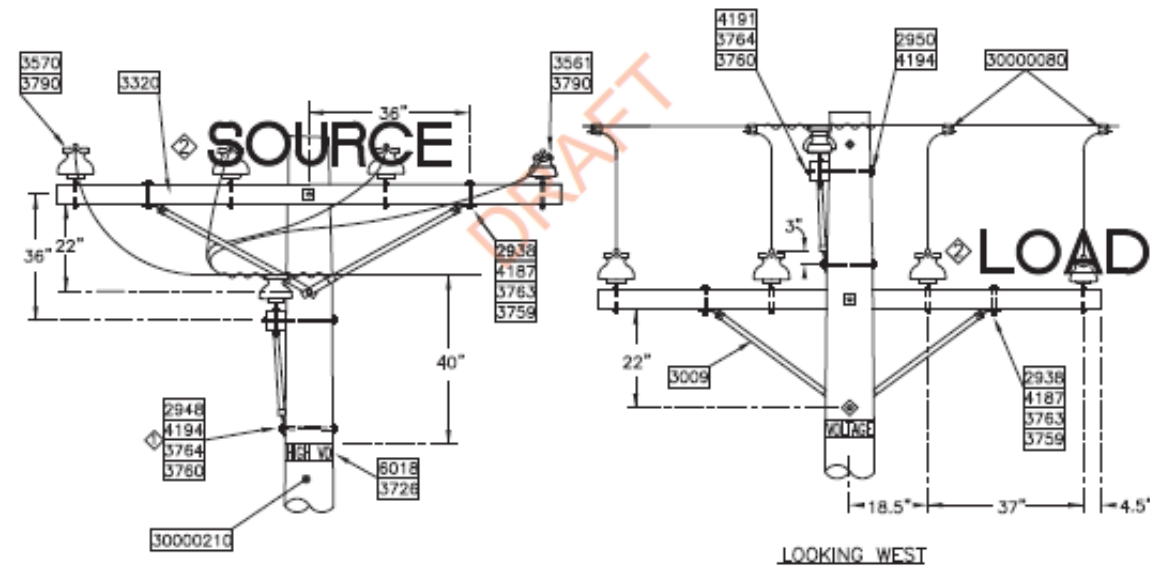
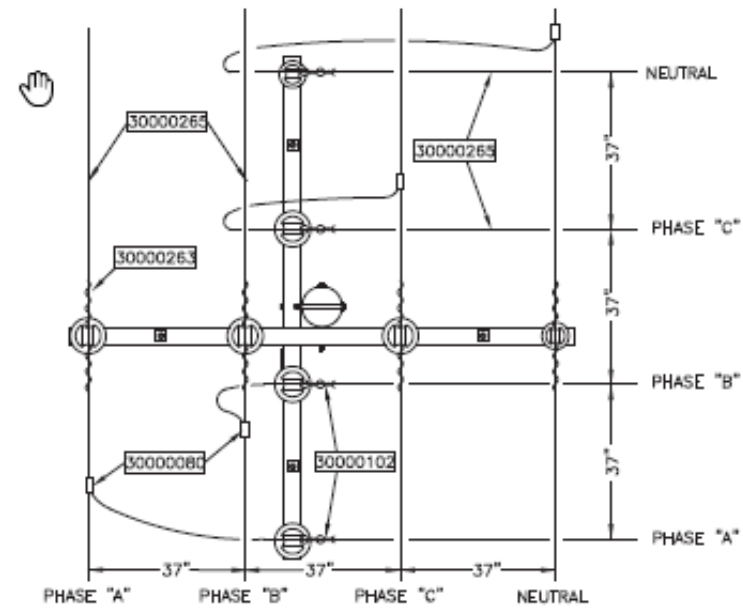
GUYING

ITEM	STOCK#	MATERIAL	QUANTITY
37	40003613	LINK-CONNECTING FOR POLE BANDS HUGHES 3152	36
38	40002967	BOLT-MACHINE 7/8 X 3 GALVANIZED	14
39	40002969	BOLT-MACHINE 7/8 X 4" GALV HUGHES B84-2	2
40	40004190	WASHER-ROUND 15/16 IN. (7/8)	16
41	40003762	NUT-LOCK, MF TYPE 7/8 IN. SQUARE GALV.	16
42	40003826	ROLLER-GUY FOR POLE BANDS HUGHES 28082	10
43	40003519	GRIP-STEEL GUY 3/8 IN. GALVANIZED	32
44	40004329	WIRE-GUY 3/8"XTRA-HI STRGTH GALV CLASS A	600
45	40006689	INSULATOR-STRAIN FIBERGLASS 30M#	8
46	40003506	GUARD GUY, PLASTIC YELLOW.	10
47	40002838	ATTACHMENT-TRIPLEYE 1" FOR ANCHOR RODS	8
48	40002833	ROD-ANCHOR EXTENSION, 1" X 3-1/2 FOOT	8
49	40002835	COUPLER-ANCHOR EXTENSION ROD, 1" SIZE	8
50	40006640	ROD-ANCHOR EXT, 1" X 7 FT, CORR PROT	8
51	40002832	ANCHOR-10 INCH DOUBLE HELIX	8
52	40003565	INSULATOR-STRAIN, GUY 120 INCH X 30,000#	4
53	40003535	ATTACHMENT-CLAMP BOLTED FOR SIDEWALK GUY	4
54	40003534	ATTACHMENT-GUY POLE PLATE/SIDEWALK GUYS	4
55	40003118	CLAMP-GUY WIRE 3-BOLT	4
56	40003177	CONDUIT-RIGID 2 IN. GALV-.154 WALL	40
57	40003829	SCREW-LAG,1/2 X 4-1/2 INCH GALVANIZED	16

DISTRIBUTION

ITEM	STOCK#	MATERIAL	QUANTITY
58	40006659	DEAD END-ARM ASSM. 10 FT FIBERGLASS	2
59	40003560	INSULATOR-D.E. DISTRIB. POLYMER, 15 KV	8
60	40003128	CLAMP-STRAIN DE STR CLEVIS #2-477 MCM AL	8
61	40002964	BOLT-MACHINE 3/4 X 18 GALVANIZED	4
62	40004195	WASHER-SQ CURVED 13/16" 4 X 4 X 1/4 IN.	4
63	40003765	WASHER-LOCK DBLE COIL SPRING 3/4" GALV	4
64	40003761	NUT-LOCK, MF TYPE 3/4 IN SQUARE	4
65	40003398	AMPACT-ALUM TAP-Y 397.4 TO 3/0 AAC	2
66	40003419	AMPACT-ALUM TAP-Y 397-397 MCM AL STRD	6
67	40003374	AMPACT-CARTRIDGE-YELLOW #69338-4	8
68	40003561	INSULATOR-PIN TYPE F-NECK WHITE 55-4	2
69	40003570	INSULATOR-PIN TYPE 14.4 KV F-NECK GREY	2
70	40003590	PIN-INSUL.LG SHANK 5/8X11-1/2" W/NUTS	4
71	40004680	TIE-DIST. 397.5 MCM AAC W/"F" NECK INS.	4
72	40004310	WIRE-ALUM 397.5MCM 19STR AA BARE"CANNA"	-

REV.	DESCRIPTION	DATE	BY	REV.	DESCRIPTION	DATE	BY	DRN	JC	12/08/21		IMPERIAL IRRIGATION DISTRICT	SHEET NO.	REV	
								CKD	GC	12/08/21			TRANSMISSION STANDARDS	3/3	1
								APR	CA	12/08/21			92KV COMPLETE ARRANGEMENTS		
								SCALE: NONE					CORNER CONFIG. W/POLYMER INS. W/DISTRIB. UNDERBUILT		
												FDR 795 AAC "ARBUTUS COND. & 3/8" E.H.S. STATIC WIRE		STANDARD NO. S1-C090-S MOD	



NOTES:

1. THE NEUTRAL WIRE IS FRAMED TO THE NORTH OR EAST SIDE OF THE POLE.
 2. THIS STANDARD IS FOR A SLACK SPAN (100FT. MAX.) ON THE TAP SIDE.
 3. FOR CLEARANCE PURPOSE, TALLER POLE MAY BE USED.
 4. ITEM 3995 SHOULD BE ON ROAD SIDE.
- ◆ FOR CONSTRUCTION WITH 1/0 AAC AND 3/0 AAC CONDUCTORS, 5/8" x 5" LAG SCREW MAY BE USED (40003830)
- ◆ EXCEPTON: BACK FEED OR OTHER CONSTRUCTION MAY RESULT IN REVERSE FEED.

BILL OF MATERIAL:

Item No.	Quantity	Description	Material No.
2938	4	BOLT-MACHINE 1/3 X 6 GALVANIZED	40002938
2948	2	BOLT-MACHINE 5/8 X 10 GALVANIZED	40002948
2960	2	BOLT-MACHINE 5/8 X 14 GALVANIZED	40002960
3008	4	BRACE-REVERS. WOOD X-ARM 72 SP 812" DRP	40003008
3320	2	CROSSARM-10 FOOT 6-FIN PENTA TREATED	40003320
3564	2	INSULATOR-PIN TRPC F-NECK WHITE SG-4	40003564
3570	6	INSULATOR-PIN TRPC 14.4 KV F-NECK GRDY	40003570
3759	4	NUT-LOCK, NF TYPE 1/2 IN. SQUARE GALV	40003759
3760	4	NUT-LOCK, NF TYPE 5/8 IN. SQUARE GALV	40003760
3768	4	WASHER-LOCK DRBL COIL SPRING 1/2" GALV	40003768
3764	4	WASHER-LOCK DRBL COIL SPRING 5/8" GALV	40003764
3790	8	PIN-INSULATED SHANK 5/8X11-1/2" W/PLTS	40003790
6018	1	WIRE-HIGH VOLTAGE YELLOW 4 X 30"	40006018
3995	6	STRIP-VISIBILITY 2 X 14" 47% L YELLOW	40003995
4187	4	WASHER ROUND 5/16" 102	40004187
4193	2	WASHER SQUARE 1 1/16" 2 X 2 X 1/8 INCH	40004193
30000210	1	POLE WOOD DISTRIBUTION	30000210
4194	4	WASHER-DR FLANGE 1 1/16" 3 X 3 X 1/4 INCH	40004194
30000285	1	WIRE ON DISTRIBUTION-ALL SIZES	30000285
30000283	1	TIE DISTRIBUTION (WRAP LOCK)-ALL SIZES	30000283
30000080	1	AMP OR PRIMARY CONNECTORS	30000080
30000102	1	TIE ON SLACK SPAN	30000102

◆◆ NOT AVAILABLE IN STOCK

IMPERIAL IRRIGATION DISTRICT			
DRAWN BY		30000201	POLE, TANGENT, 4-WIRE WITH SLACK-SPAN TAP
REVIEWED			
APPROVED			
REVISION	REV 05		
DATE	9-14-2016	204.87	

Page 123

IMPERIAL IRRIGATION DISTRICT			
DRAWN BY		30000201	POLE, TANGENT, 4-WIRE WITH SLACK-SPAN TAP
REVIEWED			
APPROVED			
REVISION	REV 08		
DATE	7-28-2018	204.88	

Page 124

REV.	DESCRIPTION	DATE	BY	REV.	DESCRIPTION	DATE	BY
1	MOD. CLAMP TO ELASTOMER TYPE	06/10/19	A.VELAZQUEZ				

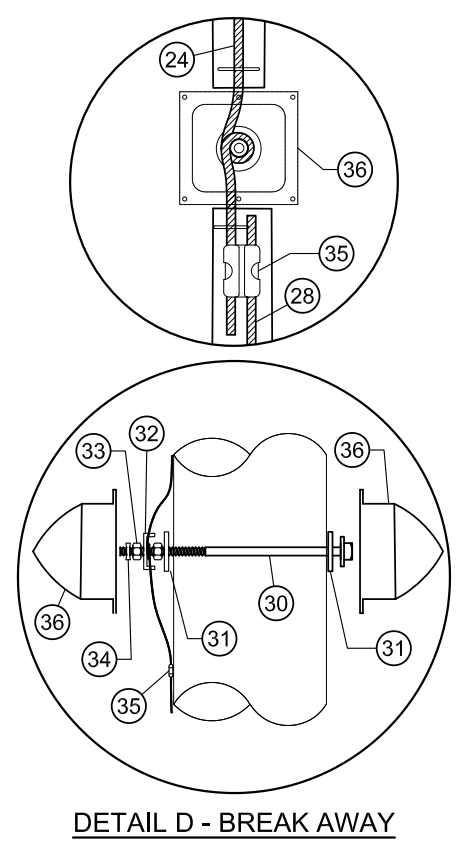
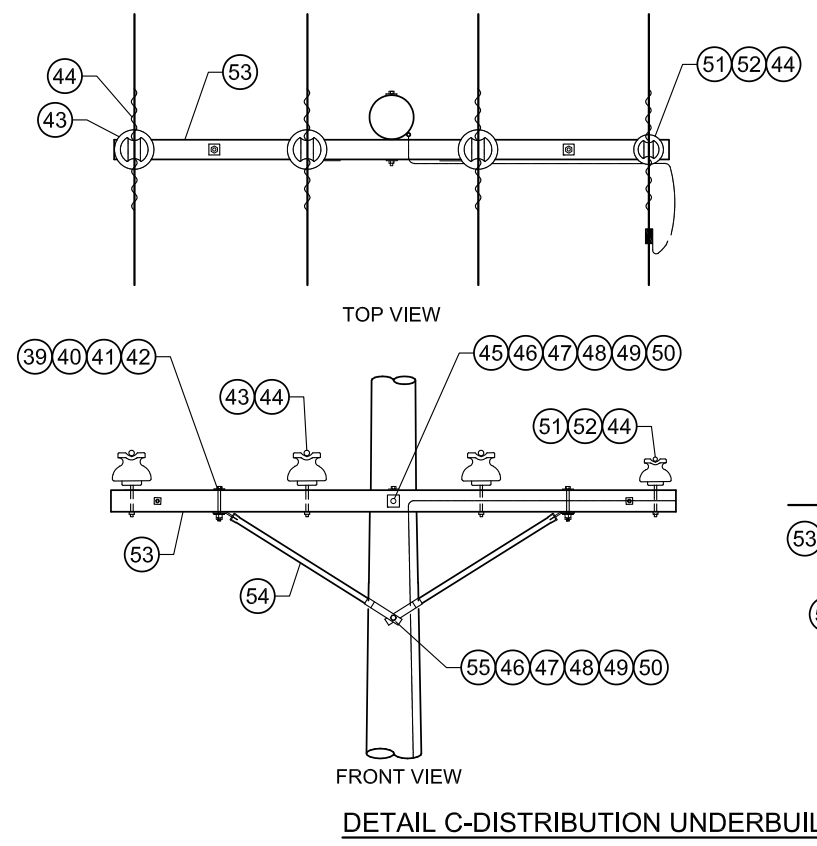
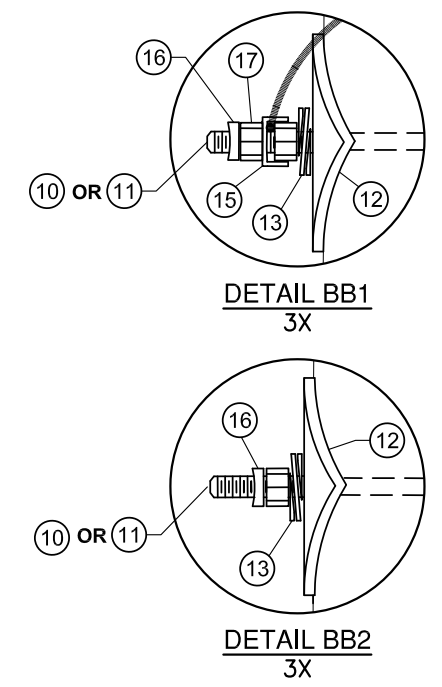
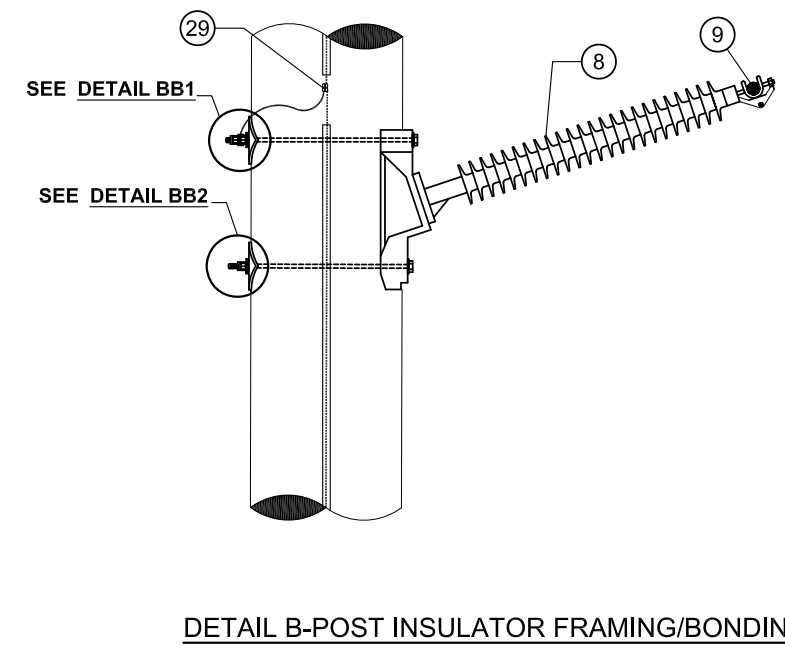
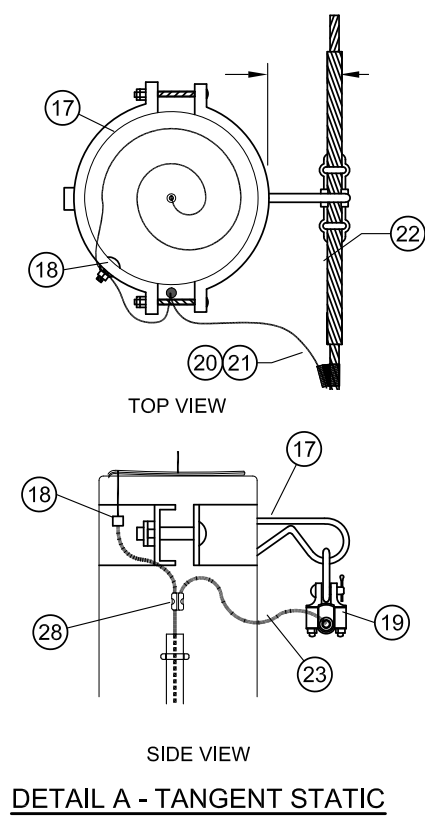
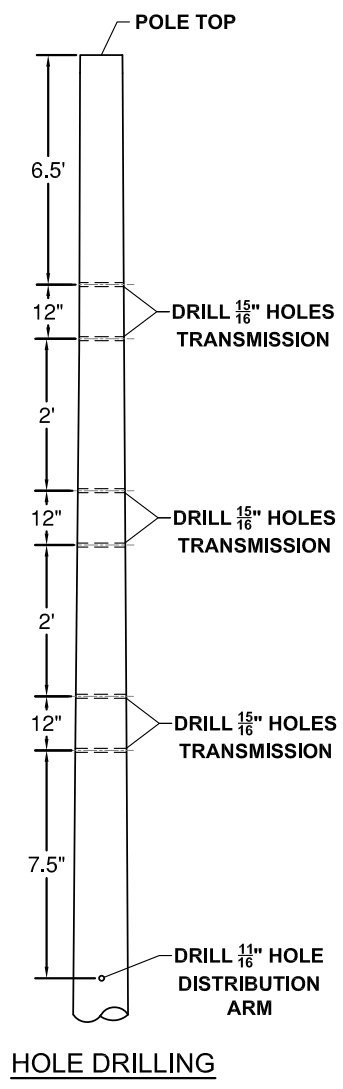
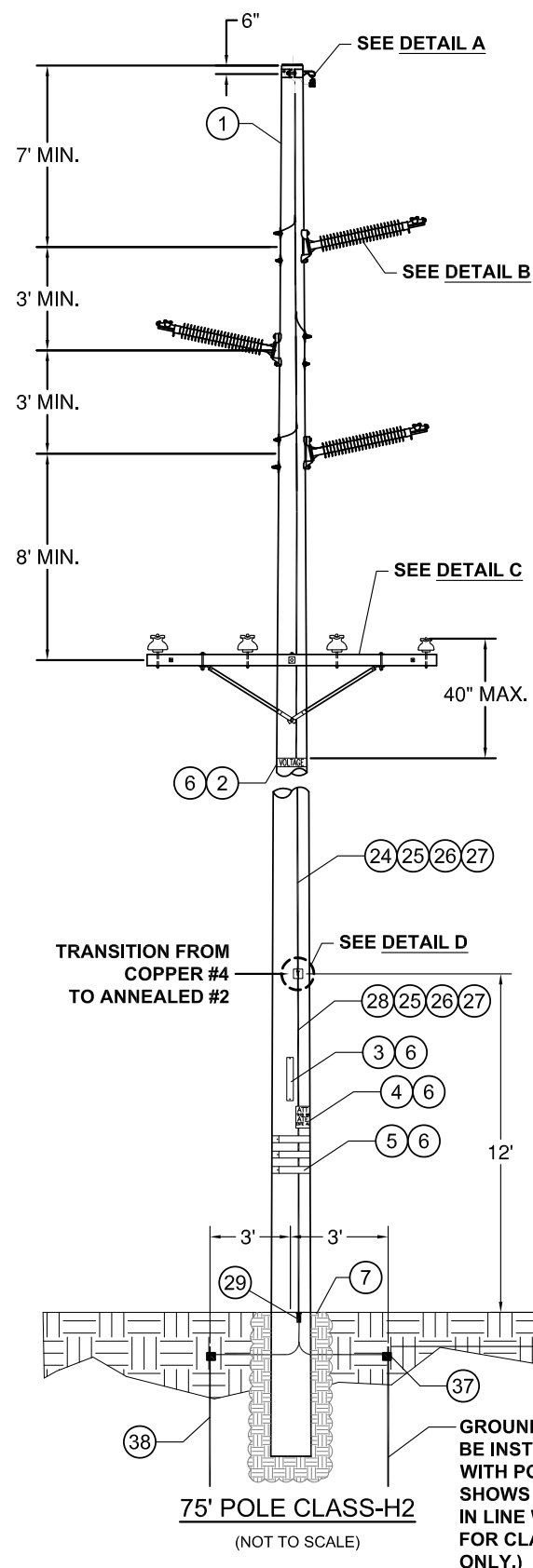
DRN	AV	12/08/17
CKD	CA	12/08/17
APR	NG	12/08/17
SCALE	NONE	



IMPERIAL IRRIGATION DISTRICT
TRANSMISSION STANDARDS

SIDE WALK GUY

SHEET NO. 1/1
STANDARD NO. 204-87



75' POLE CLASS-H2

(NOT TO SCALE)

GROUND RODS TO BE INSTALLED IN LINE WITH POLES. (THIS DRAWING SHOWS GROUND RODS NOT IN LINE WITH POLE STRUCTURES FOR CLARITY PURPOSES ONLY.)

REV.	DESCRIPTION	DATE	BY	REV.	DESCRIPTION	DATE	BY
1	ADJ. MATERIAL LIST	03/09/20	A.VELAZQUEZ				
2	REM. WASHERS AND MOD. GND. ATTCH.	08/17/20	A.VELAZQUEZ				

DRN	AV	01/08/18
CKD	CA	01/08/18
APR	NG	01/08/18
SCALE: NONE		



IMPERIAL IRRIGATION DISTRICT
TRANSMISSION STANDARDS
92KV COMPLETE ARRANGEMENTS
SINGLE CKT. DELTA CONFIG. W/DISTRIBUTION UNDERBUILT
FOR 795 AAC 'ARBUTUS COND. & DP.G.V.

SHEET NO.	REV
1/2	1
STANDARD NO.	
TS1-C055-S MOD	

WOOD POLE

ITEM#	STOCK#	MATERIAL DESCRIPTION	QUANTITY
1	40004739	POLE - WOOD - 75 FT. CL-H2	1
2	40006018	SIGN-(HIGH VOLTAGE) YELLOW 4 X 30"	1
3	40006828	HOLDER-MARKER, 8 POS. 8.25 X 1.67	1
4	40006647	SIGN-POLE ATTENTION NO VALUE WIRE	1
5	40003995	STRIP-VISIBILITY 2 INCH X 14 INCH YELLOW REFLECTORS	6
6	40003726	NAILS,ROOFING,GALV.(180 PCS/LB), EACH/LB	1
7	NSI	ROAD BASE, WOOD POLE COMPACTION; CUBIC YARD.	1

FRAMING/BONDING

ITEM#	STOCK#	MATERIAL DESCRIPTION	QUANTITY
8	40003574	INSULATOR-HORIZONTAL POST 115 KV POLYMER	3
9	40003824	ROD-ALUMINUM ALLOY ARMOR 795 MCM ALUM.	3
10	40002972	BOLT-MACHINE 7/8 X 16 GALVANIZED	2
11	40002973	BOLT-MACHINE 7/8 X 18 GALV.	4
12	40004196	WASHER-SQ CURVED 7/8 IN.-4 X 4 X 1/4 IN.	6
13	40003766	WASHER-LOCK DBLE COIL SPRING 7/8" GALV	6
14	40004190	WASHER-ROUND 15/16 IN. (7/8)	18
15	40006508	CLIP-BONDING 7/8" FOR 5/16" MAX WIRE DIA	3
16	40003762	NUT-LOCK, MF TYPE 7/8 IN. SQUARE GALV.	6
17	40003757	NUT-SQUARE MACHINE 7/8 INCH GALVANIZED	3

STATIC

ITEM#	STOCK#	MATERIAL DESCRIPTION	QUANTITY
17	40002864	BAND-POLE TOP STATIC WIRE 10 TO 13 INCH	1
18	40003537	CLIP-GROUND WIRE , 3/8"	1
19	40003119	CLAMP-SUSPENSION GUY WIRE	1
20	40003372	AMPACT-CARTRIDGE-BLUE CATALOG NO. 669338-1	1
21	40003381	AMPACT-ALUMINUM WIRE TAP 4/0-4, CATALOG NO. 600456	1
22	40003823	ROD-GALV STEEL PREFORMED 3/8" GUY WIRE	1

GROUNDING

ITEM#	STOCK#	MATERIAL DESCRIPTION	QUANTITY
24	40004221	WIRE-COPPER #4 SOL S.D. BARE 50 LB COIL .1264 LBS PER FT	12 LBS.
25	40003934	STAPLE-GROUND WIRE 1-1/4X1/4 COPPERWELD	36
26	40006581	STAPLE-MOULDING BARBED GALV. 2" X 5/8"	135
27	40006582	MOULDING-GROUND WIRE PLASTIC 1/2" X 8'	9
28	40006591	WIRE - COPPER WELD 2AWG STR 7W 40% CND	15 FT.
29	40003263	CONNECTOR-COMPRESSION KEARNEY 302-82	5
30	40002953	BOLT MACHINE 5/8" X 20" GALVANIZED	1
31	40004191	WASHER-SQUARE 11/16 IN. 2 X 2 X 1/8"	2
32	40003540	CLIP-BONDING, HUGHES 2727.6	1
33	40003755	NUT-SQUARE MACHINE 5/8 IN. GALVANIZED	1
34	40003760	NUT-LOCK, MF TYPE 5/8 IN. SQUARE GALV	1
35	40006725	CONNECTOR-COMPRESSION KEARNEY 304-82	1
36	40004759	COVER-TRANSFORMER BOLT,CURVED PLASTIC	2
37	40003117	CLAMP-GROUND ROD 5/8 INCH	2
38	40003814	ROD-GROUND 5/8 INCH X 8 FOOT	2

DISTRIBUTION UNDERBUILD

ITEM#	STOCK#	MATERIAL DESCRIPTION	QUANTITY
39	40002938	BOLT-MACHINE 1/2 X 6 GALVANIZED	2
40	40003759	NUT-LOCK, MF TYPE 1/2 IN. SQUARE GALV	2
41	40003763	WASHER-LOCK DBLE COIL SPRING 1/2" GALV	2
42	40004187	WASHER-ROUND 9/16 IN. (1/2)	2
43	40003570	INSULATOR-PIN TYPE 14.4 KV F-NECK GREY	3
44	40004680	TIE-DIST. 397.5 MCM AAC W/"F" NECK INS.	4
45	40002953	BOLT-MACHINE 5/8 X 20 GALVANIZED	1
46	40003760	NUT-LOCK, MF TYPE 5/8 IN. SQUARE GALV	2
47	40003764	WASHER-LOCK DBLE COIL SPRING 5/8" GALV	2
48	40004188	WASHER-ROUND 11/16 IN. (5/8)	2
49	40004191	WASHER-SQUARE 11/16 IN.-2 X 2 X 1/8 INCH	2
50	40004194	WASHER-SQ CURVED 11/16" 3 X 3 X 1/4 INCH	2
51	40003561	INSULATOR-PIN TYPE F-NECK WHITE 55-4	1
52	40003790	PIN-INSUL.LG SHANK 5/8X11-1/2" W/NUTS	4
53	40003320	CROSSARM-10 FOOT 6-PIN PENTA TREATED	1
54	40003009	BRACE-REVERS. WOOD X-ARM 72 SP X22" DRP	2
55	40002951	BOLT-MACHINE 5/8 X 16 GALVANIZED	1

REV.	DESCRIPTION	DATE	BY	REV.	DESCRIPTION	DATE	BY
1	ADJ. MATERIAL LIST	03/09/20	A.VELAZQUEZ				
2	REM. WASHERS AND MOD. GND. ATTCH.	08/17/20	A.VELAZQUEZ				

DRN	AV	DATE
CKD	CA	01/08/18
APR	NG	01/08/18
SCALE: NONE		

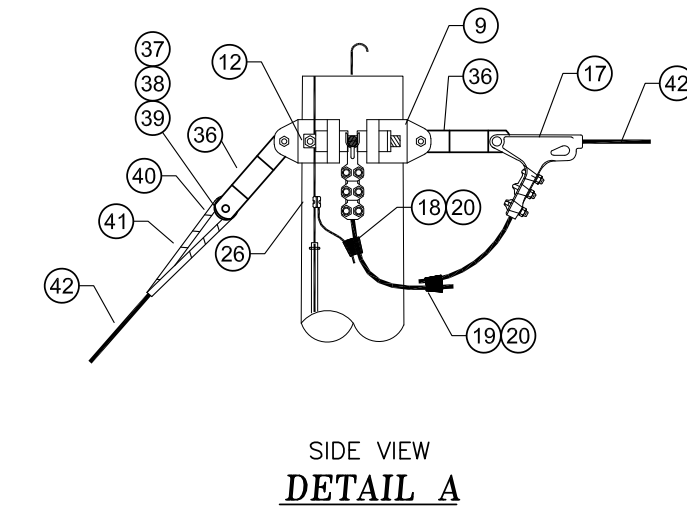
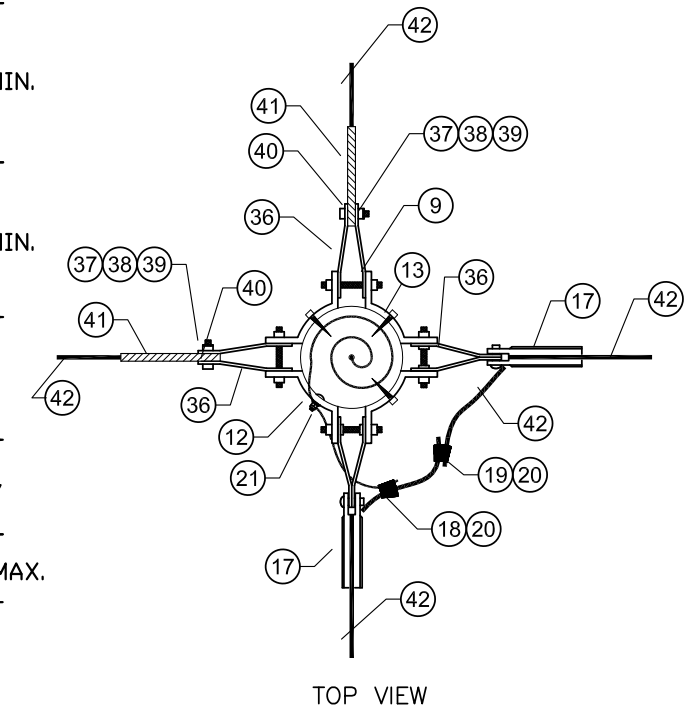
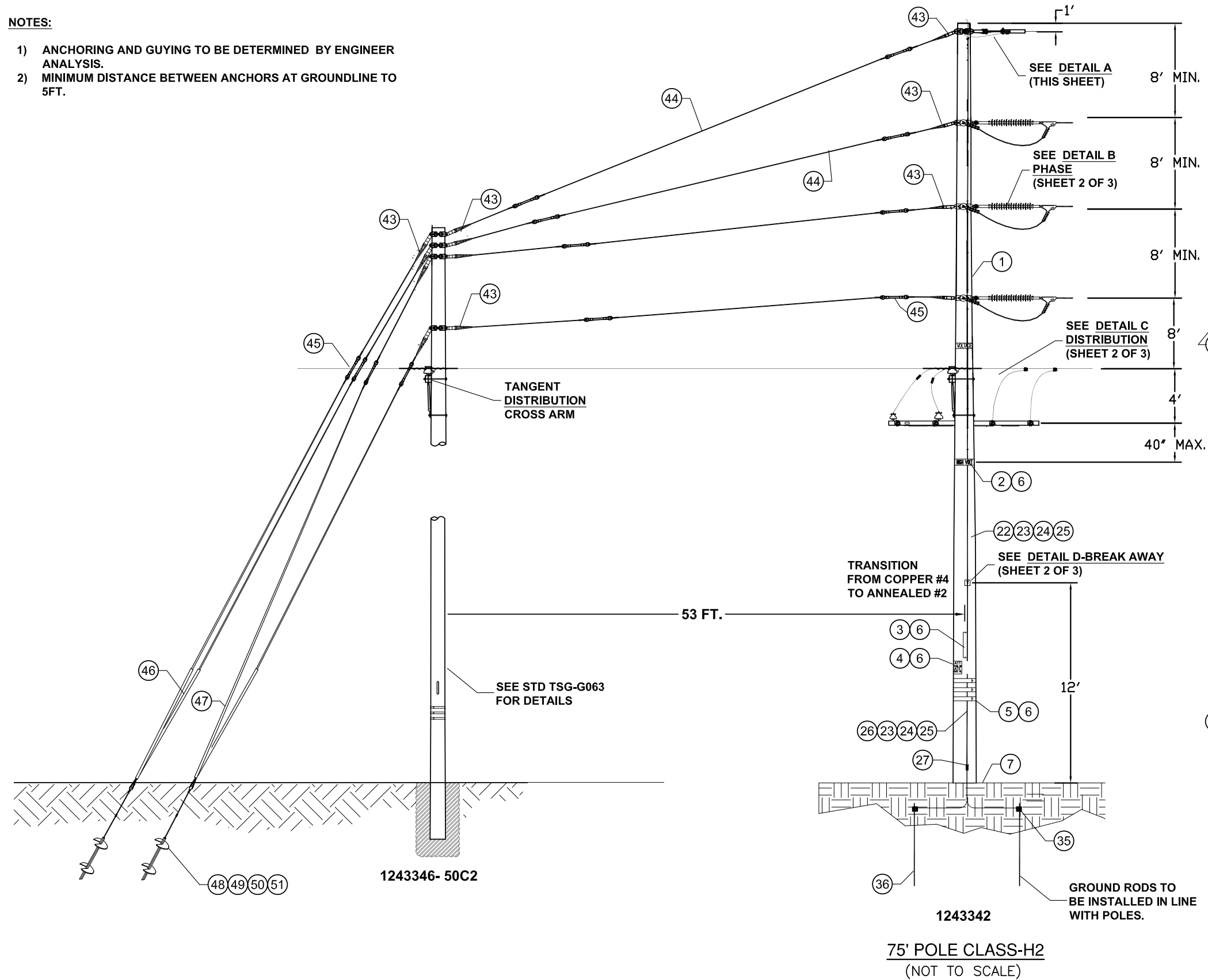


IMPERIAL IRRIGATION DISTRICT
 TRANSMISSION STANDARDS
 92KV COMPLETE ARRANGEMENTS
 SINGLE CKT. DELTA CONFIG. W/DISTRIBUTION UNDERBUILT
 FOR 795 AAC ARBUTUS COND. & DP.G.W.

SHEET NO.	REV	STANDARD NO.
2/2	1	TS1-C055-S MOD

NOTES:

- 1) ANCHORING AND GUYING TO BE DETERMINED BY ENGINEER ANALYSIS.
- 2) MINIMUM DISTANCE BETWEEN ANCHORS AT GROUNDLINE TO 5FT.



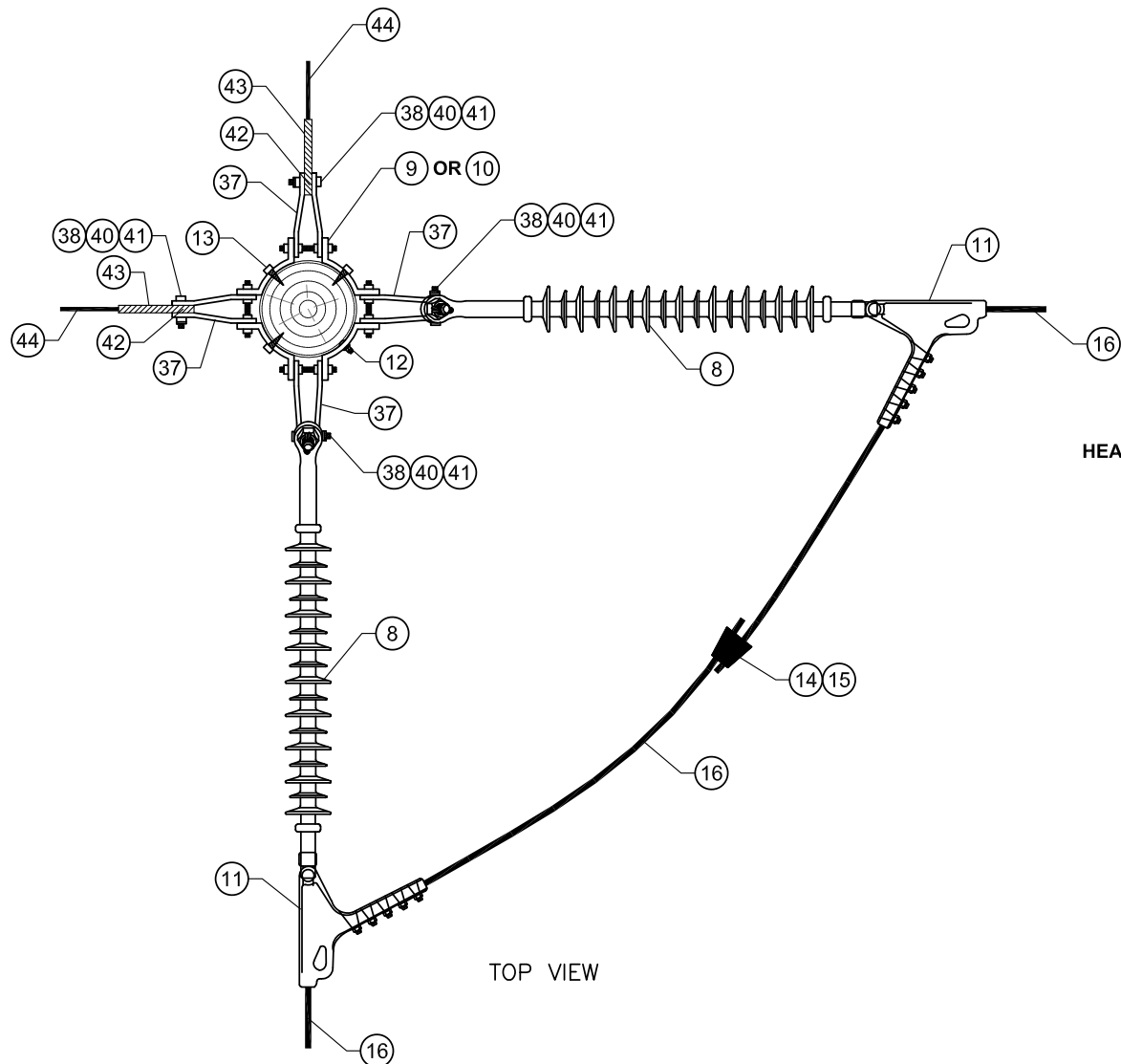
REV.	DESCRIPTION	DATE	BY	REV.	DESCRIPTION	DATE	BY
1							

DRN	JC	12/21/21
CKD	GC	12/21/21
APR	CA	12/21/21
SCALE: NONE		

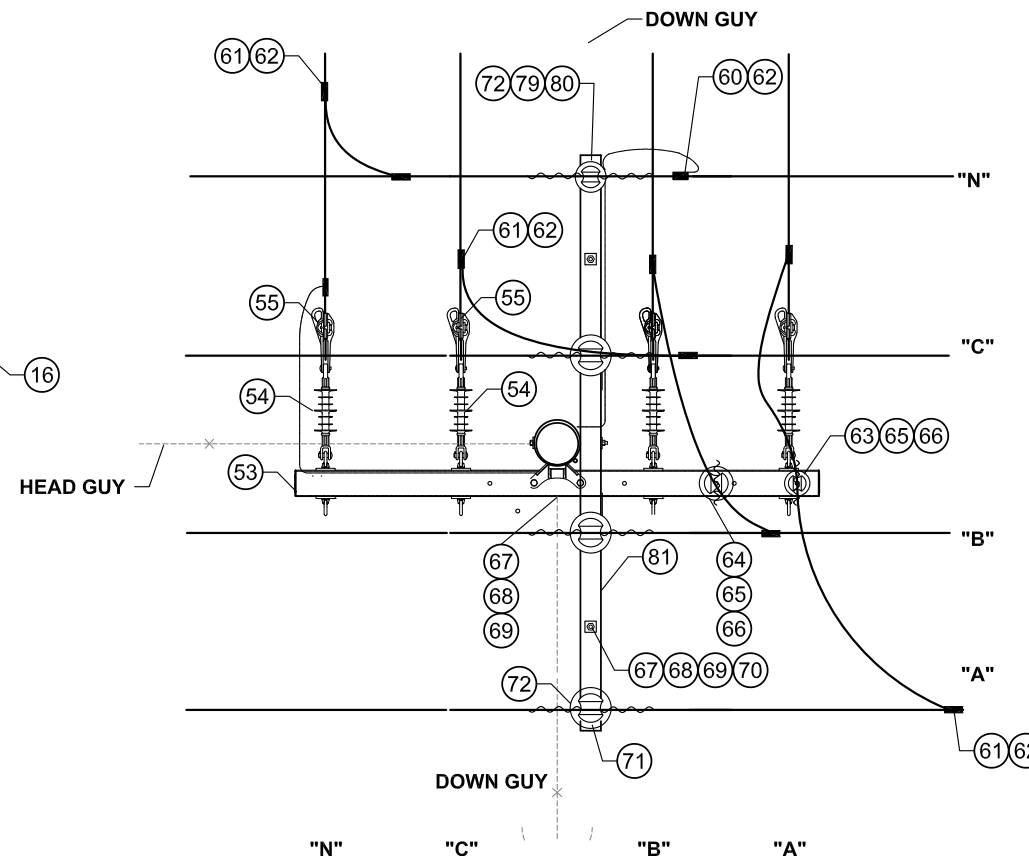


IMPERIAL IRRIGATION DISTRICT
 TRANSMISSION STANDARDS
 92KV COMPLETE ARRANGEMENTS
 CORNER CONFIG. W/POLYMER INS. W/DISTRIB. UNDERBUILT
 FOR 795 AAC 'ARBUTUS COND. & OP.G.W.

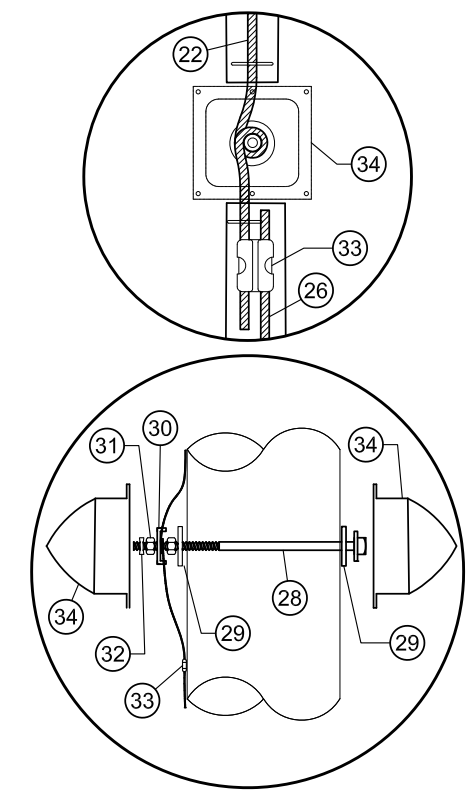
SHEET NO.	REV
1/3	1
STANDARD NO.	
T\$1-C085-S MOD1	



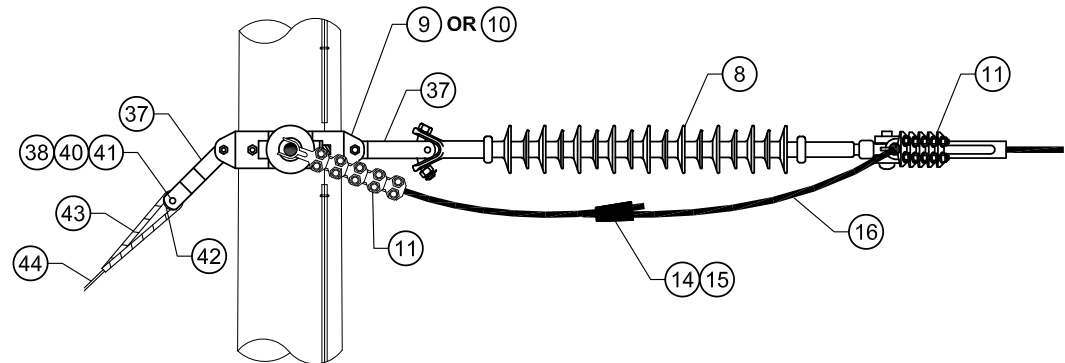
TOP VIEW



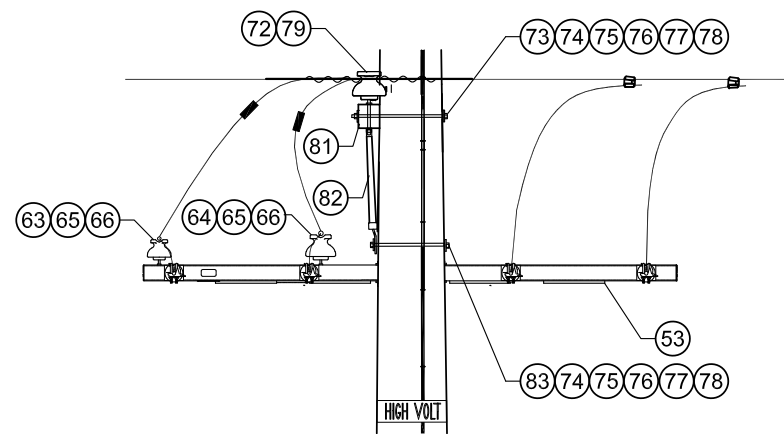
TOP VIEW
DETAIL C-DISTRIBUTION



DETAIL D-BREAK AWAY



SIDE VIEW
DETAIL B-PHASE



SIDE VIEW
DETAIL C-DISTRIBUTION

REV.	DESCRIPTION	DATE	BY	REV.	DESCRIPTION	DATE	BY
1							

DRN	JC	12/21/21
CKD	GC	12/21/21
APR	CA	12/21/21
SCALE: NONE		



IMPERIAL IRRIGATION DISTRICT
TRANSMISSION STANDARDS
92KV COMPLETE ARRANGEMENTS
CORNER CONFIG. W/POLYMER INS. W/DISTRIB. UNDERBUILT
FOR 795 AAC 'ARBUTUS COND. & OP.G.W.

SHEET NO.	REV
2/3	1
STANDARD NO.	
T\$1-C085-S M001	

WOOD POLE

ITEM	STOCK#	MATERIAL	QUANTITY
1	40004739	POLE - WOOD - 75FT. CL-H2	1
2	40006018	SIGN-(HIGH VOLTAGE) YELLOW 4 X 30"	1
3	40006828	HOLDER-MARKER, 8 POS. 8.25 X 1.67	1
4	40006647	SIGN-POLE ATTENTION NO VALUE WIRE	1
5	40003995	STRIP-VISIBILITY 2 X 14" TYPE-L YELLOW	6
6	40003726	NAILS,ROOFING,GALV.(180 PCS/LB), EACH/LB	1
7	NSI	ROAD BASE, WOOD POLE COMPACTION; CUBIC YARD.	1

INSULATOR ASSEMBLY

ITEM	STOCK#	MATERIAL	QUANTITY
8	40003559	INSULATOR-SUSPENSION POLYMER 115KV	6
9	40002863	BAND-POLE 9 TO 12 INCH HUGHES 3105.6	2
10	40002865	BAND-POLE 11 TO 14 INCH HUGHES 3105.7	2
11	40003134	CLAMP-DE STRAIN W/SKT EYE 795/954MCM AAC	6
12	40003538	CLIP-GROUND WIRE 1/2"	4
13	40003829	SCREW-LAG,1/2 X 4-1/2 INCH GALVANIZED	12
14	40003411	AMPACT-ALUMINUM TAP-Y 795-715	3
15	40003374	AMPACT-CARTRIDGE-YELLOW #69338-4	3
16	40004311	WIRE-ALUM 795MCM CL37 STR BARE"ARBUTUS"	-

STATIC

ITEM	STOCK#	MATERIAL	QUANTITY
17	40007766	CLAMP-STRAIN DE - 3/8" STATIC WIRE	1
18	40003381	AMPACT-ALUMINUM TAP-B 4/0-4 #600456	1
19	40003376	AMPACT-ALUM TAP-B 1/0-1/0,2/0-2,1/0-2	1
20	40003372	AMPACT CARTRIDGE-BLUE CATALOG #69339-1	2

GROUNDING

ITEM	STOCK#	MATERIAL	QUANTITY
22	40004221	WIRE-COPPER #4 SOL S.D. BARE 50 LB COIL	12 lbs
23	40003934	STAPLE-GROUND WIRE 1-1/4X1/4 COPPERWELD	36
24	40006581	STAPLE-MOULDING BARBED GALV 2" X 5/8"	135
25	40006582	MOULDING-GROUND WIRE PLASTIC 1/2" X 8'	9
26	40006591	WIRE-COPPER WELD 2AWG STR 7W 40% CND	15 FT
27	40003263	CONNECTOR-COMPRESSION KEARNEY 302-82	2
28	40002953	BOLT-MACHINE 5/8" X 20" GALV.	1
29	40004191	WASHER-SQUARE 11/16" IN. 2 X 2 X 1/8"	2
30	40003540	CLIP-BONDING, HUGHES 2727.6	2
31	40003755	NUT-SQUARE MACHINE 5/8" GALV.	1
32	40003760	NUT-LOCK, MF TYPE 5/8 IN. SQUARE GALV	1
33	40006725	CONNECTOR-COMPRESSION KEARNEY 304-82	1
34	40004759	COVER TRANSFORMER BOLT	2
35	40003117	CLAMP-GROUND ROD 5/8 INCH	2
36	40003814	ROD-GROUND 5/8 INCH X 8 FOOT	2


MATERIAL LIST

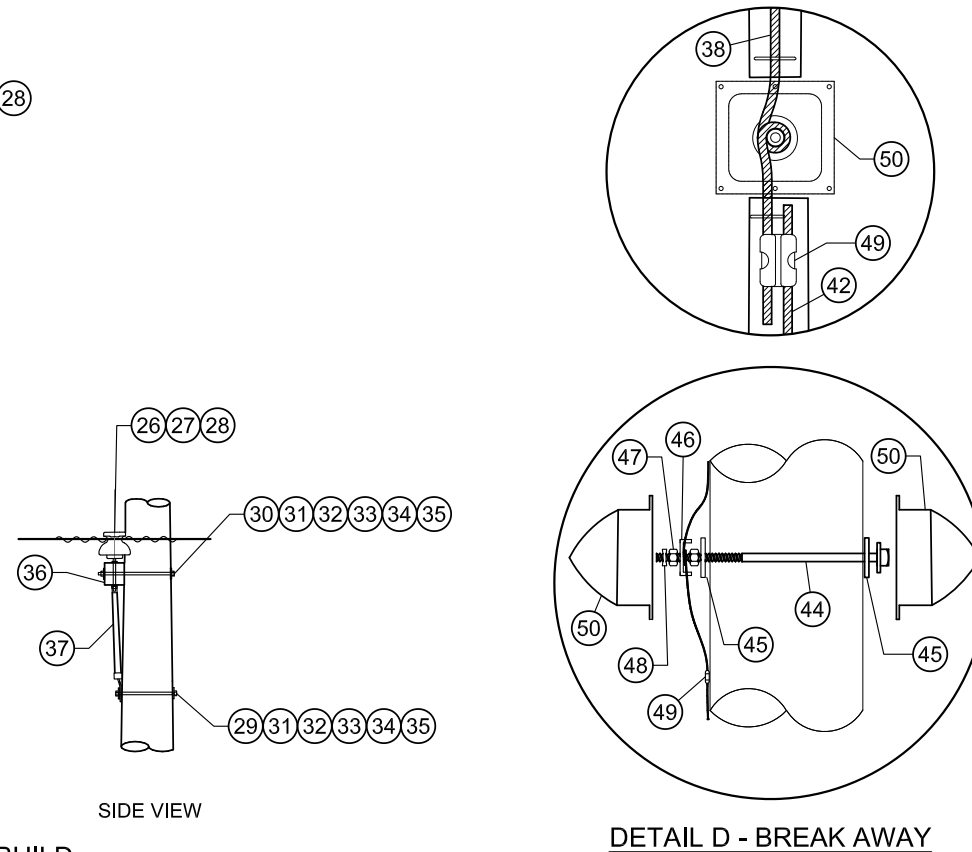
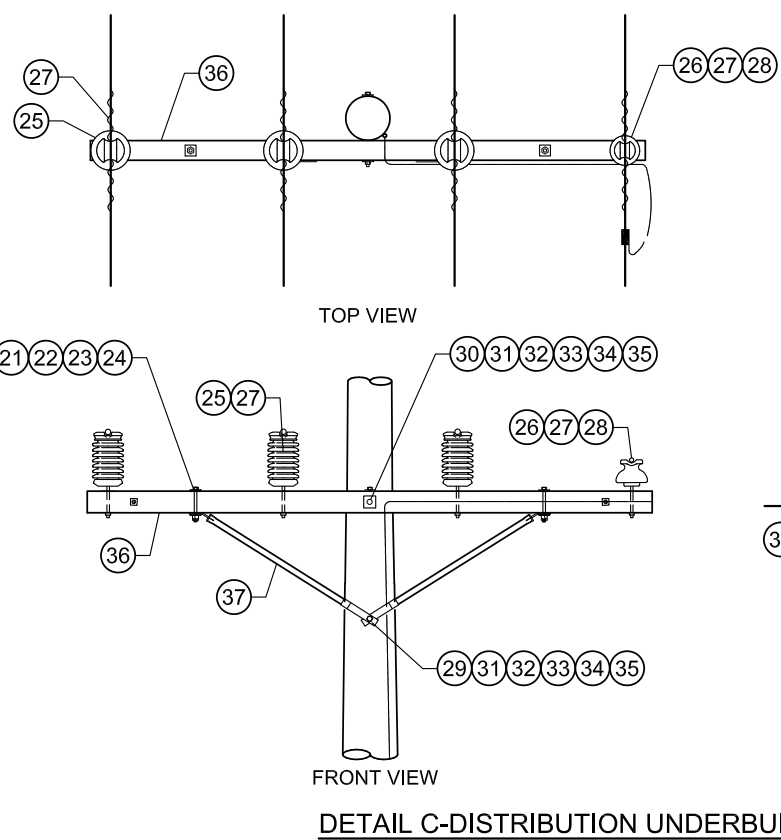
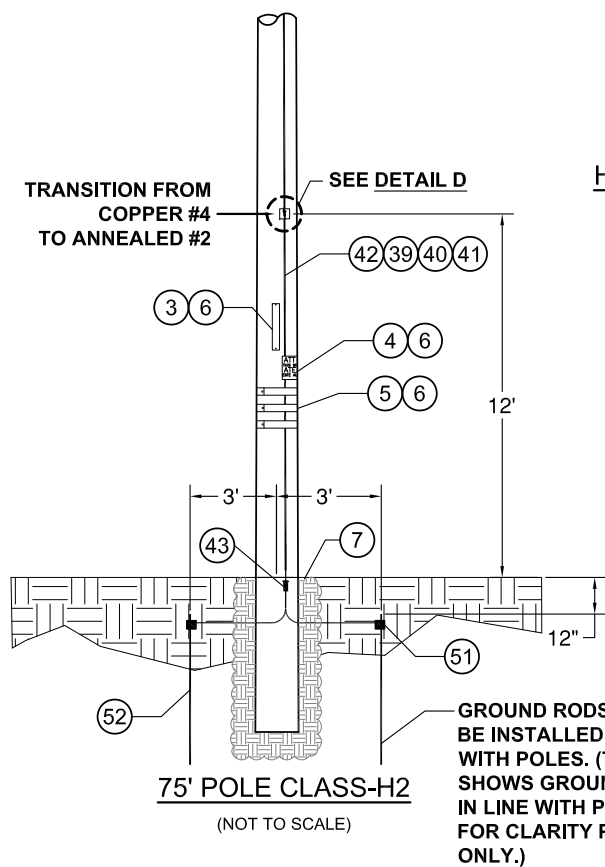
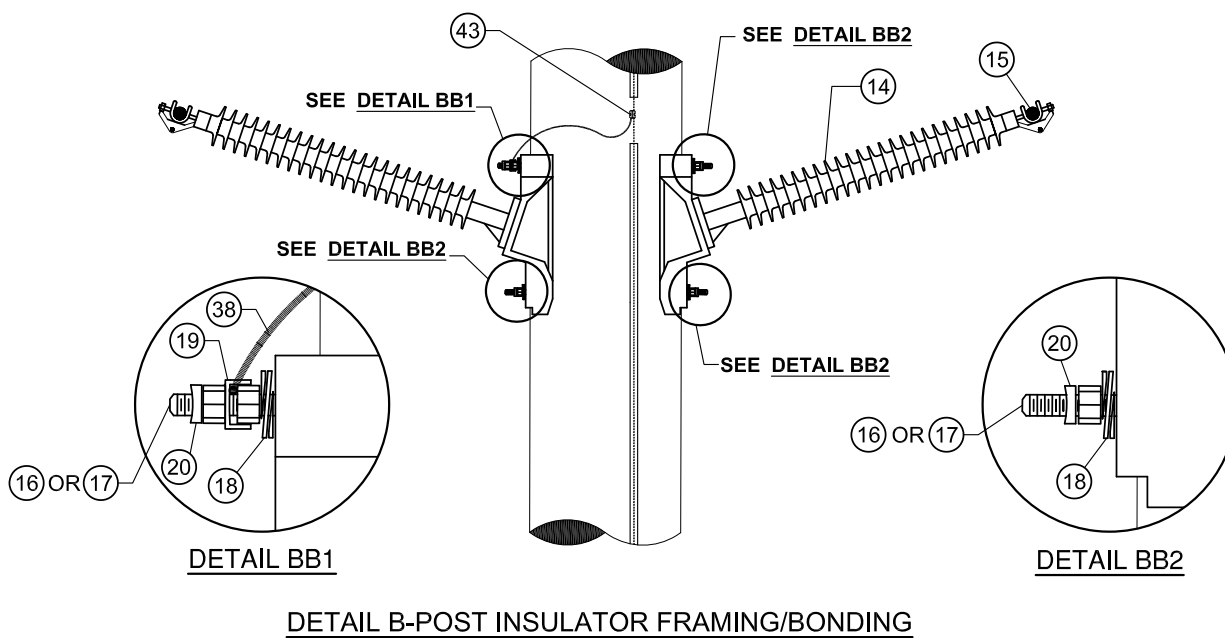
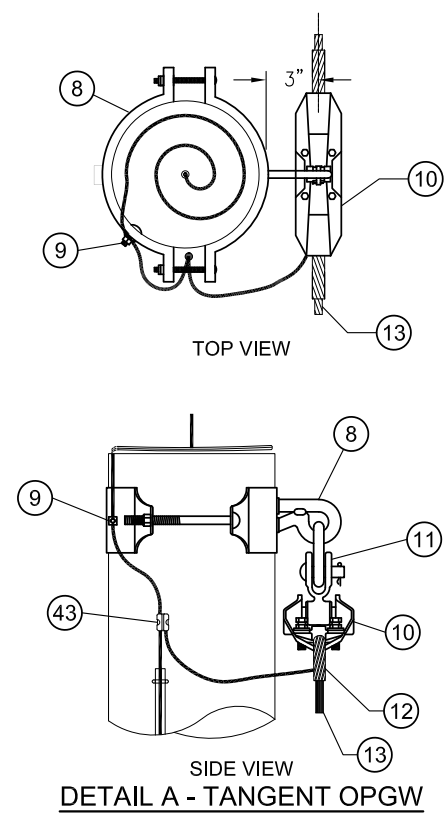
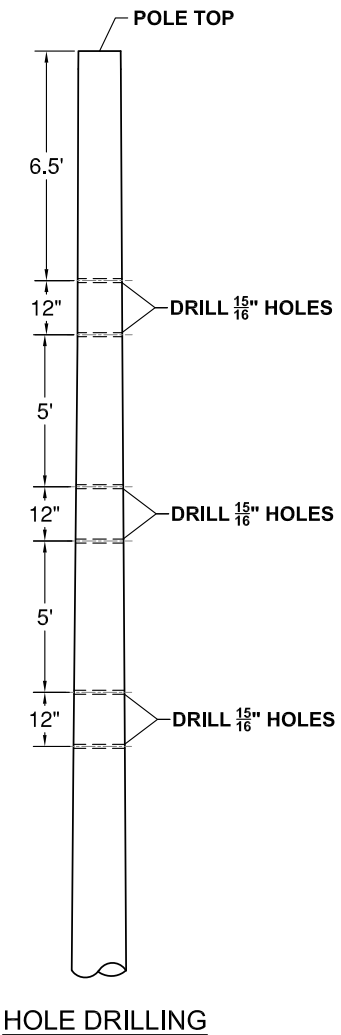
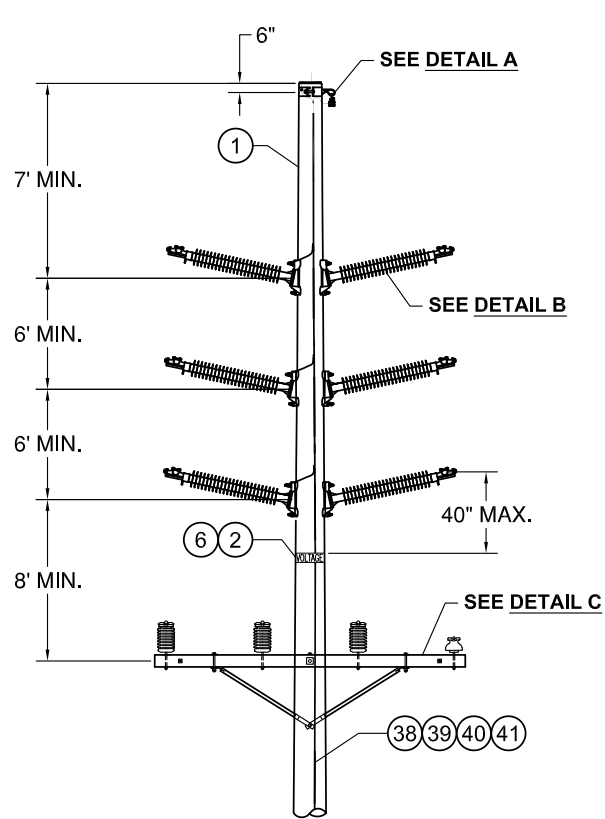
ITEM	STOCK#	MATERIAL	QUANTITY
37	40003613	LINK-CONNECTING FOR POLE BANDS HUGHES 3152	56
38	40002967	BOLT-MACHINE 7/8 X 3 GALVANIZED	26
39	40002969	BOLT-MACHINE 7/8 X 4" GALV HUGHES B84-2	2
40	40004190	WASHER-ROUND 15/16 IN. (7/8)	28
41	40003762	NUT-LOCK, MF TYPE 7/8 IN. SQUARE GALV.	28
42	40003826	ROLLER-GUY FOR POLE BANDS HUGHES 28082	20
43	40003519	GRIP-STEEL GUY 3/8 IN. GALVANIZED	66
44	40004329	WIRE-GUY 3/8"XTRA-HI STRGTH GALV CLASS A	950
45	40006689	INSULATOR-STRAIN FIBERGLASS 30M#	20
46	40003506	GUARD GUY, PLASTIC YELLOW.	10
47	40002838	ATTACHMENT-TRIPLEYE 1" FOR ANCHOR RODS	8
48	40002833	ROD-ANCHOR EXTENSION, 1" X 3-1/2 FOOT	8
49	40002835	COUPLER-ANCHOR EXTENSION ROD, 1" SIZE	8
50	40006640	ROD-ANCHOR EXT, 1" X 7 FT, CORR PROT	8
51	40002832	ANCHOR-10 INCH DOUBLE HELIX	8
52	40003565	INSULATOR-STRAIN, GUY 120 INCH X 30,000#	1

DISTRIBUTION

ITEM	STOCK#	MATERIAL DESCRIPTION DEAD END	QUANTITY
53	40006659	DEAD END-ARM ASSM. 10 FT FIBERGLASS	1
54	40003560	INSULATOR-D.E. DISTRIB. POLYMER, 15 KV	4
55	40003128	CLAMP-STRAIN DE STR CLEVIS #2-477 MCM AL	4
56	40002964	BOLT-MACHINE 3/4 X 18 GALVANIZED	2
57	40004195	WASHER-SQ CURVED 13/16" 4 X 4 X 1/4 IN.	2
58	40003765	WASHER-LOCK DBLE COIL SPRING 3/4" GALV	2
59	40003761	NUT-LOCK, MF TYPE 3/4 IN SQUARE	2
60	40003398	AMPACT-ALUM TAP-Y 397.4 TO 3/0 AAC	1
61	40003419	AMPACT-ALUM TAP-Y 397-397 MCM AL STRD	3
62	40003374	AMPACT-CARTRIDGE-YELLOW #69338-4	4
63	40003561	INSULATOR-PIN TYPE F-NECK WHITE 55-4	1
64	40003570	INSULATOR-PIN TYPE 14.4 KV F-NECK GREY	3
65	40003590	PIN-INSUL.LG SHANK 5/8X11-1/2" W/NUTS	4
66	40004680	TIE-DIST. 397.5 MCM AAC W/"F" NECK INS.	4

ITEM#	STOCK#	MATERIAL DESCRIPTION TANGENT	QUANTITY
67	40002938	BOLT-MACHINE 1/2 X 6 GALVANIZED	2
68	40003759	NUT-LOCK, MF TYPE 1/2 IN. SQUARE GALV	2
69	40003763	WASHER-LOCK DBLE COIL SPRING 1/2" GALV	2
70	40004187	WASHER-ROUND 9/16 IN. (1/2)	2
71	40003570	INSULATOR-PIN TYPE 14.4 KV F-NECK GREY	3
72	40004680	TIE-DIST. 397.5 MCM AAC W/"F" NECK INS.	4
73	40002953	BOLT-MACHINE 5/8 X 20 GALVANIZED	1
74	40003760	NUT-LOCK, MF TYPE 5/8 IN. SQUARE GALV	2
75	40003764	WASHER-LOCK DBLE COIL SPRING 5/8" GALV	2
76	40004188	WASHER-ROUND 11/16 IN. (5/8)	2
77	40004191	WASHER-SQUARE 11/16 IN.-2 X 2 X 1/8 INCH	2
78	40004194	WASHER-SQ CURVED 11/16" 3 X 3 X 1/4 INCH	2
79	40003561	INSULATOR-PIN TYPE F-NECK WHITE 55-4	1
80	40003790	PIN-INSUL.LG SHANK 5/8X11-1/2" W/NUTS	4
81	40003320	CROSSARM-10 FOOT 6-PIN PENTA TREATED	1
82	40003009	BRACE-REVERS. WOOD X-ARM 72 SP X22" DRP	2
83	40002951	BOLT-MACHINE 5/8 X 16 GALVANIZED	1

REV.	DESCRIPTION	DATE	BY	REV.	DESCRIPTION	DATE	BY	DRN	JC	12/02/21		IMPERIAL IRRIGATION DISTRICT	SHEET NO.	REV	
								CKD	GC	12/02/21			TRANSMISSION STANDARDS	3/3	1
								APR	CA	12/02/21			92KV COMPLETE ARRANGEMENTS		
								SCALE: NONE					CORNER CONFIG. W/POLYMER INS. W/DISTRIB. UNDERBUILT FOR 795 AAC 'ARBUTUS COND. & DP.G.W.	\$1-C085-S	M001



REV.	DESCRIPTION	DATE	BY	REV.	DESCRIPTION	DATE	BY
1							

DRN	AV	09/09/21
CKD	CA	09/09/21
APR		
SCALE: NONE		



IMPERIAL IRRIGATION DISTRICT
 TRANSMISSION STANDARDS
 92KV COMPLETE ARRANGEMENTS
 DOUBLE CIRCUIT TANGENT W/ DIST. UNDERBUILD
 FOR 795 AAC COND. & 397.5 AAC DIST. /DP.G.W.-25KV POST

SHEET NO.	REV
1/2	1
STANDARD NO.	
TS1-C555A-0	

WOOD POLE

ITEM#	STOCK#	MATERIAL DESCRIPTION	QUANTITY
1	40004739	POLE - WOOD - 75 FT. CL-H2	1
2	40006018	SIGN-(HIGH VOLTAGE) YELLOW 4 X 30"	1
3	40006828	HOLDER-MARKER, 8 POS. 8.25 X 1.67	1
4	40006647	SIGN-POLE ATTENTION NO VALUE WIRE	1
5	40003995	STRIP-VISIBILITY 2 X 14" TYPE-L YELLOW	6
6	40003726	NAIL-GALV. ROOFING, 1-1/4" LONG	1
7	NSI	ROAD BASE, WOOD POLE COMPACTION; CUBIC YARD.	1

OP.G.W.

ITEM#	STOCK#	MATERIAL DESCRIPTION	QUANTITY
8	40002867	BAND-POLE 8-1/2 TO 11 IN HUGHES 2837.6K	1
9	40003537	CLIP-GROUND WIRE 3/8"	1
10	40004378	FIBEROPTIC-CLAMP SUSPENSION	1
11	40006646	CLEVIS-EYE 11/16" 30,000LB STRENGTH	1
12	40007764	CONNECTOR-COMP TERM 1/2" STUD TO #4CU	1
13	40007278	FIBEROPTIC-CABLE 48 FIB OPTICAL GRNDWIRE	-

FRAMING/BONDING


ITEM#	STOCK#	MATERIAL DESCRIPTION	QUANTITY
14	40003574	INSULATOR-HORIZONTAL POST 115 KV POLYMER	6
15	40003824	ROD-ALUMINUM ALLOY ARMOR 795 MCM ALUM.	6
16	40002984	BOLT - DOUBLE ARMING - 7/8"x 22"	3
17	40002985	BOLT - DOUBLE ARMING - 7/8"x 24"	3
18	40003766	WASHER-LOCK DBLE COIL SPRING 7/8" GALV	12
19	40006508	CLIP-BONDING 7/8" FOR 5/16" MAX WIRE DIA	3
20	40003762	NUT-LOCK, MF TYPE 7/8 IN. SQUARE GALV.	12

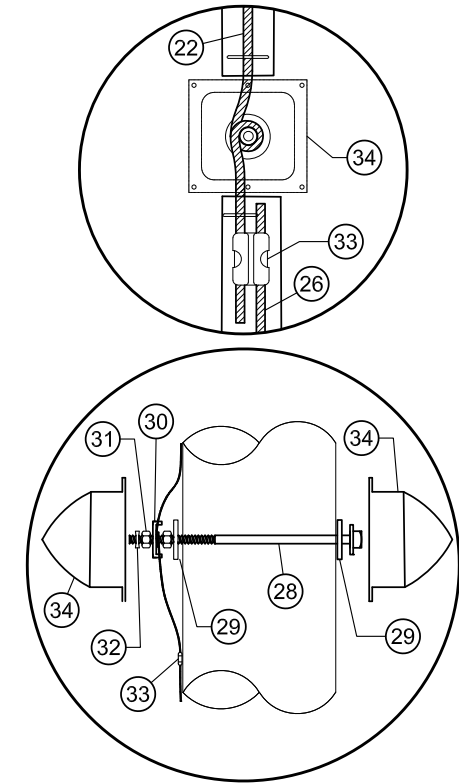
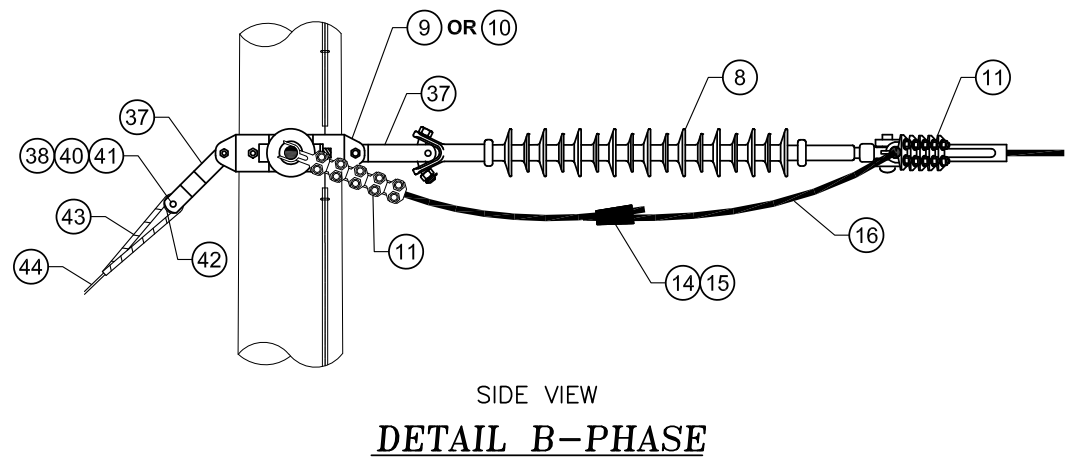
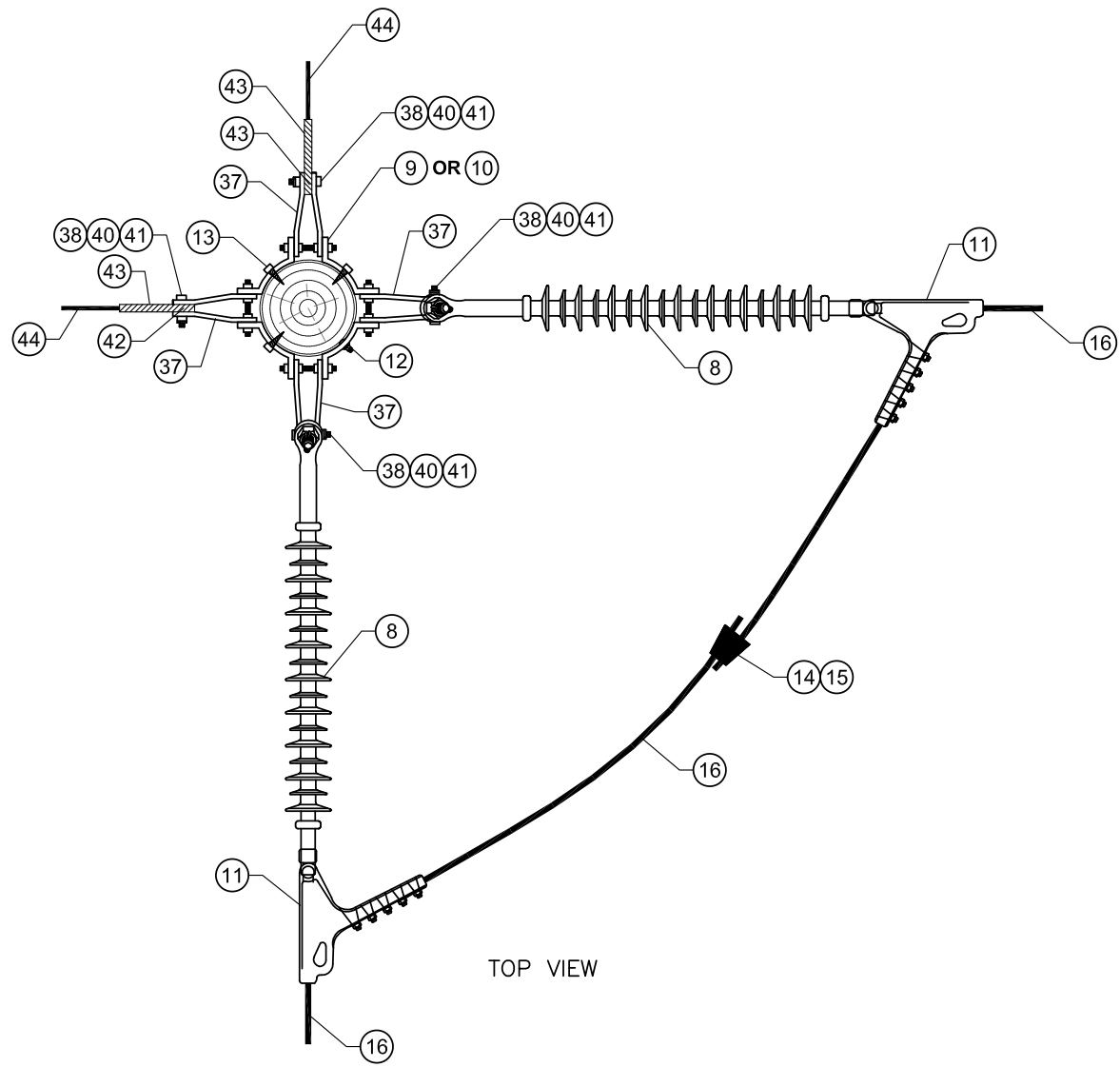
DISTRIBUTION UNDERBUILD

ITEM#	STOCK#	MATERIAL DESCRIPTION	QUANTITY
21	40002938	BOLT-MACHINE 1/2 X 6 GALVANIZED	2
22	40003759	NUT-LOCK, MF TYPE 1/2 IN. SQUARE GALV	2
23	40003763	WASHER-LOCK DBLE COIL SPRING 1/2" GALV	2
24	40004187	WASHER-ROUND 9/16 IN. (1/2)	2
25	40003579	INSULATOR-LINE POST TY TOP W/LG STUD "F"	3
26	40003561	INSULATOR-PIN TYPE F-NECK WHITE 55-4	1
27	40004680	TIE-DIST. 397.5 MCM AAC W/"F" NECK INS.	4
28	40003790	PIN-INSUL.LG SHANK 5/8X11-1/2" W/NUTS	1
29	40002951	BOLT-MACHINE 5/8 X 16 GALVANIZED	1
30	40002953	BOLT-MACHINE 5/8 X 20 GALVANIZED	1
31	40003760	NUT-LOCK, MF TYPE 5/8 IN. SQUARE GALV	2
32	40003764	WASHER-LOCK DBLE COIL SPRING 5/8" GALV	2
33	40004188	WASHER-ROUND 11/16 IN. (5/8)	2
34	40004191	WASHER-SQUARE 11/16 IN.-2 X 2 X 1/8 INCH	2
35	40004194	WASHER-SQ CURVED 11/16" 3 X 3 X 1/4 INCH	2
36	40003320	CROSSARM-10 FOOT 6-PIN PENTA TREATED	1
37	40003009	BRACE-REVERS. WOOD X-ARM 72 SP X22" DRP	2

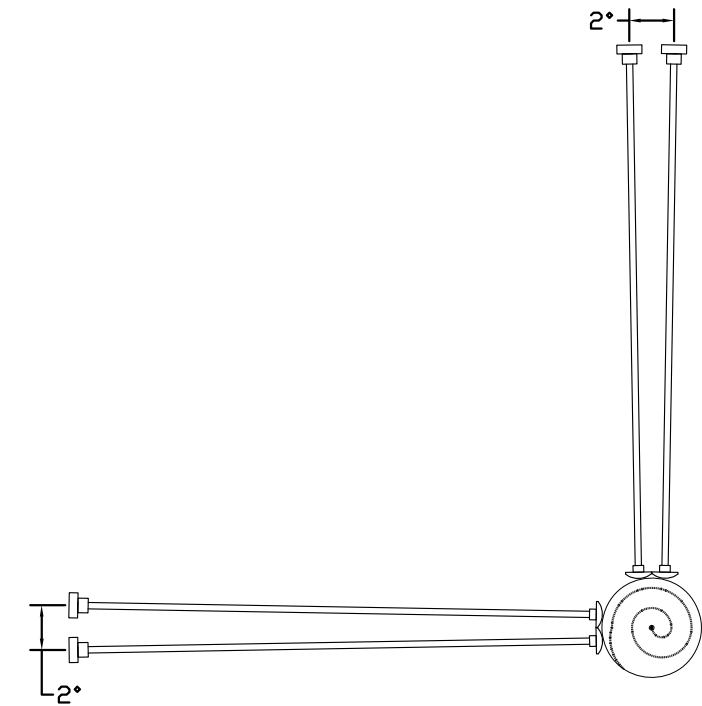
GROUNDING

ITEM#	STOCK#	MATERIAL DESCRIPTION	QUANTITY
38	40004221	WIRE-COPPER #4 SOL S.D. BARE 50 LB COIL	12 LBS.
39	40003934	STAPLE-GROUND WIRE 1-1/4X1/4 COPPERWELD	36
40	40006581	STAPLE-MOULDING BARBED GALV. 2" X 5/8"	135
41	40006582	MOULDING-GROUND WIRE PLASTIC 1/2" X 8'	9
42	40006591	WIRE - COPPER WELD 2AWG STR 7W 40% CND	15 FT.
43	40003263	CONNECTOR-COMPRESSION KEARNEY 302-82	5
44	40002953	BOLT MACHINE 5/8" X 20" GALVANIZED	1
45	40004191	WASHER-SQUARE 11/16 IN. 2 X 2 X 1/8"	2
46	40003540	CLIP-BONDING, HUGHES 2727.6	1
47	40003755	NUT-SQUARE MACHINE 5/8 IN. GALVANIZED	1
48	40003760	NUT-LOCK, MF TYPE 5/8 IN. SQUARE GALV	1
49	40006725	CONNECTOR-COMPRESSION KEARNEY 304-82	1
50	40004759	COVER-TRANSFORMER BOLT,CURVED PLASTIC	2
51	40003117	CLAMP-GROUND ROD 5/8 INCH	2
52	40003814	ROD-GROUND 5/8 INCH X 8 FOOT	2

REV.	DESCRIPTION	DATE	BY	REV.	DESCRIPTION	DATE	BY	DRN	AV	09/09/21		IMPERIAL IRRIGATION DISTRICT	SHEET NO.	REV	
1								CKD	CA	09/09/21			TRANSMISSION STANDARDS	2/2	1
								APR					92KV COMPLETE ARRANGEMENTS		
								SCALE: NONE					DOUBLE CIRCUIT TANGENT W/ DIST. UNDERBUILD FOR 795 AAC COND. & 397.5 AAC DIST. /OP.G.W.-25KV POST	TS1-C555A-0	



DETAIL D-BREAK AWAY



DETAIL E-SIDEWALK GUY

REV.	DESCRIPTION	DATE	BY	REV.	DESCRIPTION	DATE	BY

DRN	JC	12/08/21
CKD	GC	12/08/21
APR	CA	12/08/21
SCALE: NONE		



IMPERIAL IRRIGATION DISTRICT
 TRANSMISSION STANDARDS
 92KV COMPLETE ARRANGEMENTS
 CORNER CONFIG. W/POLYMER INS. W/DISTRIB. UNDERBUILT
 FOR 795 AAC 'ARBUTUS COND. & DP.G.V.

SHEET NO.	REV
2/3	▲
STANDARD NO.	
TS1-C030-S	

MATERIAL LIST

WOOD POLE

ITEM	STOCK#	MATERIAL	QUANTITY
1	40004739	POLE - WOOD - 75FT. CL-H2	1
2	40006018	SIGN-(HIGH VOLTAGE) YELLOW 4 X 30"	1
3	40006828	HOLDER-MARKER, 8 POS. 8.25 X 1.67	1
4	40006647	SIGN-POLE ATTENTION NO VALUE WIRE	1
5	40003995	STRIP-VISIBILITY 2 X 14" TYPE-L YELLOW	6
6	40003726	NAILS,ROOFING,GALV.(180 PCS/LB), EACH/LB	1
7	NSI	ROAD BASE, WOOD POLE COMPACTION; CUBIC YARD.	1

INSULATOR ASSEMBLY

ITEM	STOCK#	MATERIAL	QUANTITY
8	40003559	INSULATOR-SUSPENSION POLYMER 115KV	6
9	40002863	BAND-POLE 9 TO 12 INCH HUGHES 3105.6	2
10	40002865	BAND-POLE 11 TO 14 INCH HUGHES 3105.7	2
11	40003134	CLAMP-DE STRAIN W/SKT EYE 795/954MCM AAC	6
12	40003538	CLIP-GROUND WIRE 1/2"	4
13	40003829	SCREW-LAG,1/2 X 4-1/2 INCH GALVANIZED	12
14	40003411	AMPACT-ALUMINUM TAP-Y 795-715	3
15	40003374	AMPACT-CARTRIDGE-YELLOW #69338-4	3
16	40004311	WIRE-ALUM 795MCM CL37 STR BARE"ARBUTUS"	-

STATIC


ITEM	STOCK#	MATERIAL	QUANTITY
17	40007766	CLAMP-STRAIN DE - 3/8" STATIC WIRE	2
18	40003381	AMPACT-ALUMINUM WIRE TAP B 4/0-4	1
19	40003376	AMPACT-ALUM TAP-B 1/0-1/0,2/0-2,1/0-2	1
20	40003372	AMPACT-CARTRIDGE-BLUE #69338-1	2

GROUNDING

ITEM	STOCK#	MATERIAL	QUANTITY
22	40004221	WIRE-COPPER #4 SOL S.D. BARE 50 LB COIL	12 lbs
23	40003934	STAPLE-GROUND WIRE 1-1/4X1/4 COPPERWELD	36
24	40006581	STAPLE-MOULDING BARBED GALV 2" X 5/8"	135
25	40006582	MOULDING-GROUND WIRE PLASTIC 1/2" X 8'	9
26	40006591	WIRE-COPPER WELD 2AWG STR 7W 40% CND	15 FT
27	40003263	CONNECTOR-COMPRESSION KEARNEY 302-82	2
28	40002953	BOLT-MACHINE 5/8" X 20" GALV.	1
29	40004191	WASHER-SQUARE 11/16" IN. 2 X 2 X 1/8"	2
30	40003540	CLIP-BONDING, HUGHES 2727.6	2
31	40003755	NUT-SQUARE MACHINE 5/8" GALV.	1
32	40003760	NUT-LOCK, MF TYPE 5/8 IN. SQUARE GALV	1
33	40006725	CONNECTOR-COMPRESSION KEARNEY 304-82	1
34	40004759	COVER TRANSFORMER BOLT	2
35	40003117	CLAMP-GROUND ROD 5/8 INCH	2
36	40003814	ROD-GROUND 5/8 INCH X 8 FOOT	2

GUYING

ITEM	STOCK#	MATERIAL	QUANTITY
37	40003613	LINK-CONNECTING FOR POLE BANDS HUGHES 3152	36
38	40002967	BOLT-MACHINE 7/8 X 3 GALVANIZED	14
39	40002969	BOLT-MACHINE 7/8 X 4" GALV HUGHES B84-2	2
40	40004190	WASHER-ROUND 15/16 IN. (7/8)	16
41	40003762	NUT-LOCK, MF TYPE 7/8 IN. SQUARE GALV.	16
42	40003826	ROLLER-GUY FOR POLE BANDS HUGHES 28082	10
43	40003519	GRIP-STEEL GUY 3/8 IN. GALVANIZED	32
44	40004329	WIRE-GUY 3/8"XTRA-HI STRGTH GALV CLASS A	600
45	40006689	INSULATOR-STRAIN FIBERGLASS 30M#	8
46	40003506	GUARD GUY, PLASTIC YELLOW.	10
47	40002838	ATTACHMENT-TRIPLEYE 1" FOR ANCHOR RODS	8
48	40002833	ROD-ANCHOR EXTENSION, 1" X 3-1/2 FOOT	8
49	40002835	COUPLER-ANCHOR EXTENSION ROD, 1" SIZE	8
50	40006640	ROD-ANCHOR EXT, 1" X 7 FT, CORR PROT	8
51	40002832	ANCHOR-10 INCH DOUBLE HELIX	8
52	40003565	INSULATOR-STRAIN, GUY 120 INCH X 30,000#	4
53	40003535	ATTACHMENT-CLAMP BOLTED FOR SIDEWALK GUY	4
54	40003534	ATTACHMENT-GUY POLE PLATE/SIDEWALK GUYS	4
55	40003118	CLAMP-GUY WIRE 3-BOLT	4
56	40003177	CONDUIT-RIGID 2 IN. GALV-.154 WALL	40
57	40003829	SCREW-LAG,1/2 X 4-1/2 INCH GALVANIZED	16

REV.	DESCRIPTION	DATE	BY	REV.	DESCRIPTION	DATE	BY	DRN	JC	12/08/21	 IMPERIAL IRRIGATION DISTRICT TRANSMISSION STANDARDS 92KV COMPLETE ARRANGEMENTS CORNER CONFIG. W/POLYMER INS. W/DISTRIB. UNDERBUILT FOR 795 AAC 'ARBUTUS COND. & 3/8" E.H.S. STATIC WIRE	SHEET NO.	REV
								CKD	GC	12/08/21		3/3	△
								APR	CA	12/08/21		STANDARD NO.	
								SCALE: NONE				TS1-C030-S	

MATERIAL LIST

WOOD POLE

ITEM#	STOCK#	MATERIAL DESCRIPTION	QUANTITY
1	40004739	POLE - WOOD - 75 FT. CL-H2	1
2	40006018	SIGN-(HIGH VOLTAGE) YELLOW 4 X 30"	1
3	40006828	HOLDER-MARKER, 8 POS. 8.25 X 1.67	1
4	40006647	SIGN-POLE ATTENTION NO VALUE WIRE	1
5	40003995	STRIP-VISIBILITY 2 X 14" TYPE-L YELLOW	6
6	40003726	NAILS,ROOFING,GALV.(180 PCS/LB), EACH/LB	1
7	NSI	ROAD BASE, WOOD POLE COMPACTION; CUBIC YARD.	1

FRAMING/BONDING

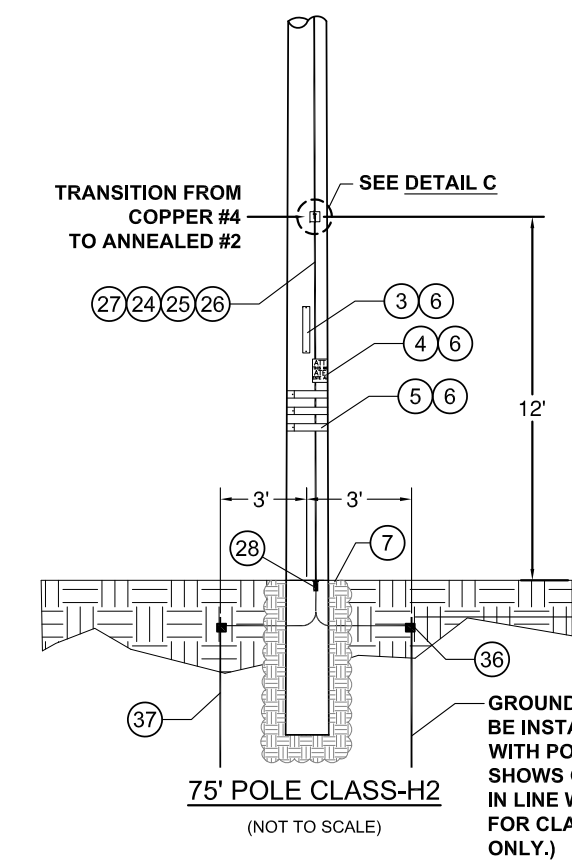
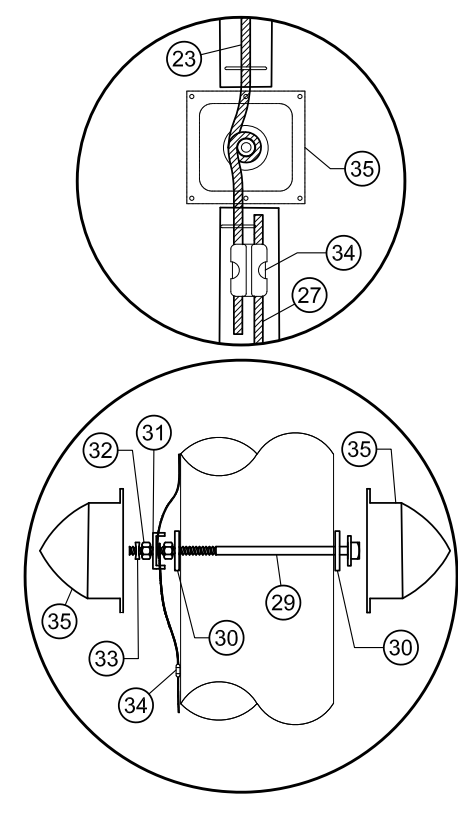
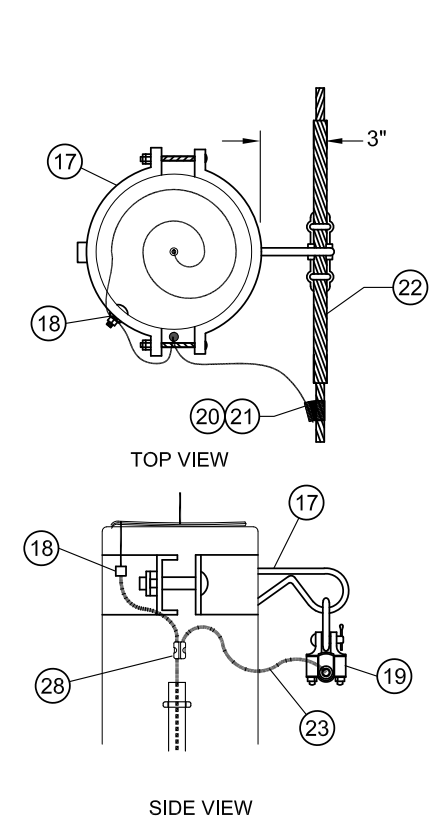
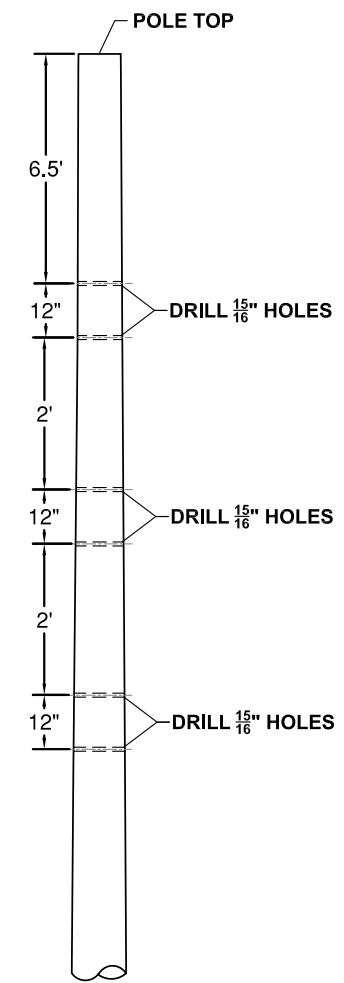
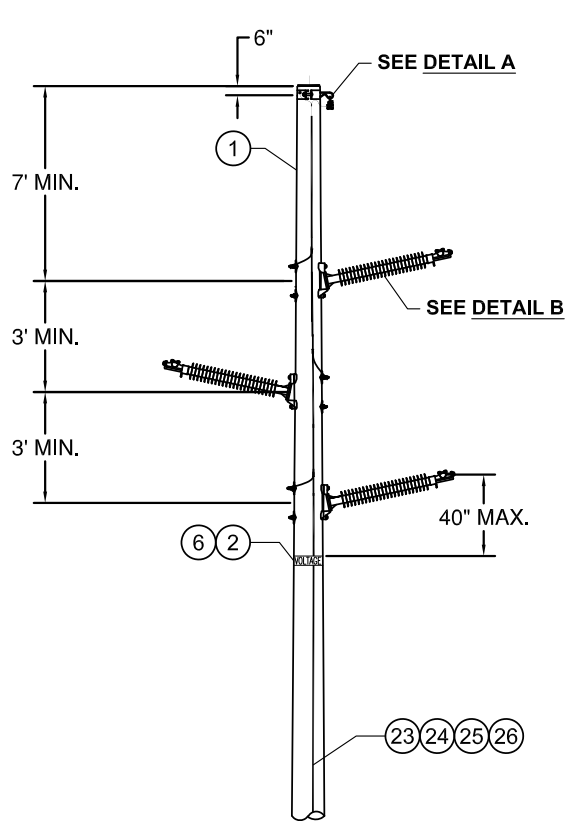
ITEM#	STOCK#	MATERIAL DESCRIPTION	QUANTITY
8	40003574	INSULATOR-HORIZONTAL POST 115 KV POLYMER	3
9	40003824	ROD-ALUMINUM ALLOY ARMOR 795 MCM ALUM.	3
10	40002973	BOLT-MACHINE 7/8 X 18 GALV.	2
11	40002970	BOLT-MACHINE 7/8 X 20 GALV	4
12	40004196	WASHER-SQ CURVED 7/8 IN.-4 X 4 X 1/4 IN.	6
13	40003766	WASHER-LOCK DBLE COIL SPRING 7/8" GALV	6
14	40006508	CLIP-BONDING 7/8" FOR 5/16" MAX WIRE DIA	3
15	40003762	NUT-LOCK, MF TYPE 7/8 IN. SQUARE GALV.	6
16	40003757	NUT-SQUARE MACHINE 7/8 INCH GALVANIZED	3

STATIC

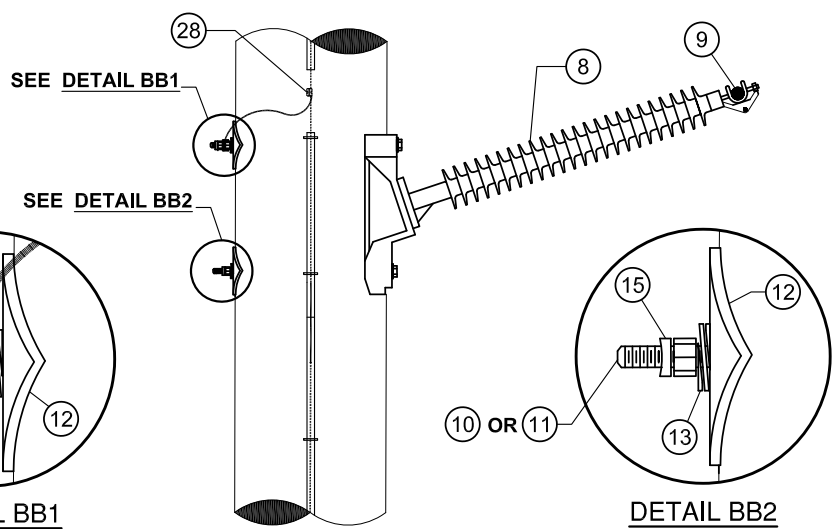
ITEM#	STOCK#	MATERIAL DESCRIPTION	QUANTITY
17	40002864	BAND-POLE TOP STATIC WIRE 10 TO 13 INCH	1
18	40003537	CLIP-GROUND WIRE , 3/8"	1
19	40003119	CLAMP-SUSPENSION GUY WIRE	1
20	40003372	AMPACT-CARTRIDGE-BLUE CATALOG NO. 669338-1	1
21	40003381	AMPACT-ALUMINUM WIRE TAP 4/0-4, CATALOG NO. 600456	1
22	40003823	ROD-GALV STEEL PREFORMED 3/8" GUY WIRE	1

GROUNDING


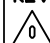
ITEM#	STOCK#	MATERIAL DESCRIPTION	QUANTITY
23	40004221	WIRE-COPPER #4 SOL S.D. BARE 50 LB COIL .1264 LBS PER FT	12 LBS.
24	40003934	STAPLE-GROUND WIRE 1-1/4 X 1/2 COPPERWELD J-6493	140
25	40006581	STAPLE-MOULDING BARBED GALV. 2" X 5/8"	110
26	40006582	MOULDING-GROUND WIRE PLASTIC 1/2" X 8'	9
27	40006591	WIRE - COPPER WELD 2AWG STR 7W 40% CND	15 FT.
28	40003263	CONNECTOR-COMPRESSION KEARNEY 302-82	6
29	40002954	BOLT MACHINE 5/8" X 22" GALVANIZED	1
30	40004191	WASHER-SQUARE 11/16 IN. 2 X 2 X 1/8"	2
31	40003540	CLIP-BONDING, HUGHES 2727.6	1
32	40003755	NUT-SQUARE MACHINE 5/8 IN. GALVANIZED	1
33	40003760	NUT-LOCK, MF TYPE 5/8 IN. SQUARE GALV	1
34	40006725	CONNECTOR-COMPRESSION KEARNEY 304-82	1
35	40004759	COVER-TRANSFORMER BOLT,CURVED PLASTIC	2
36	40003117	CLAMP-GROUND ROD 5/8 INCH	2
37	40003814	ROD-GROUND 5/8 INCH X 8 FOOT	2



HOLE DRILLING

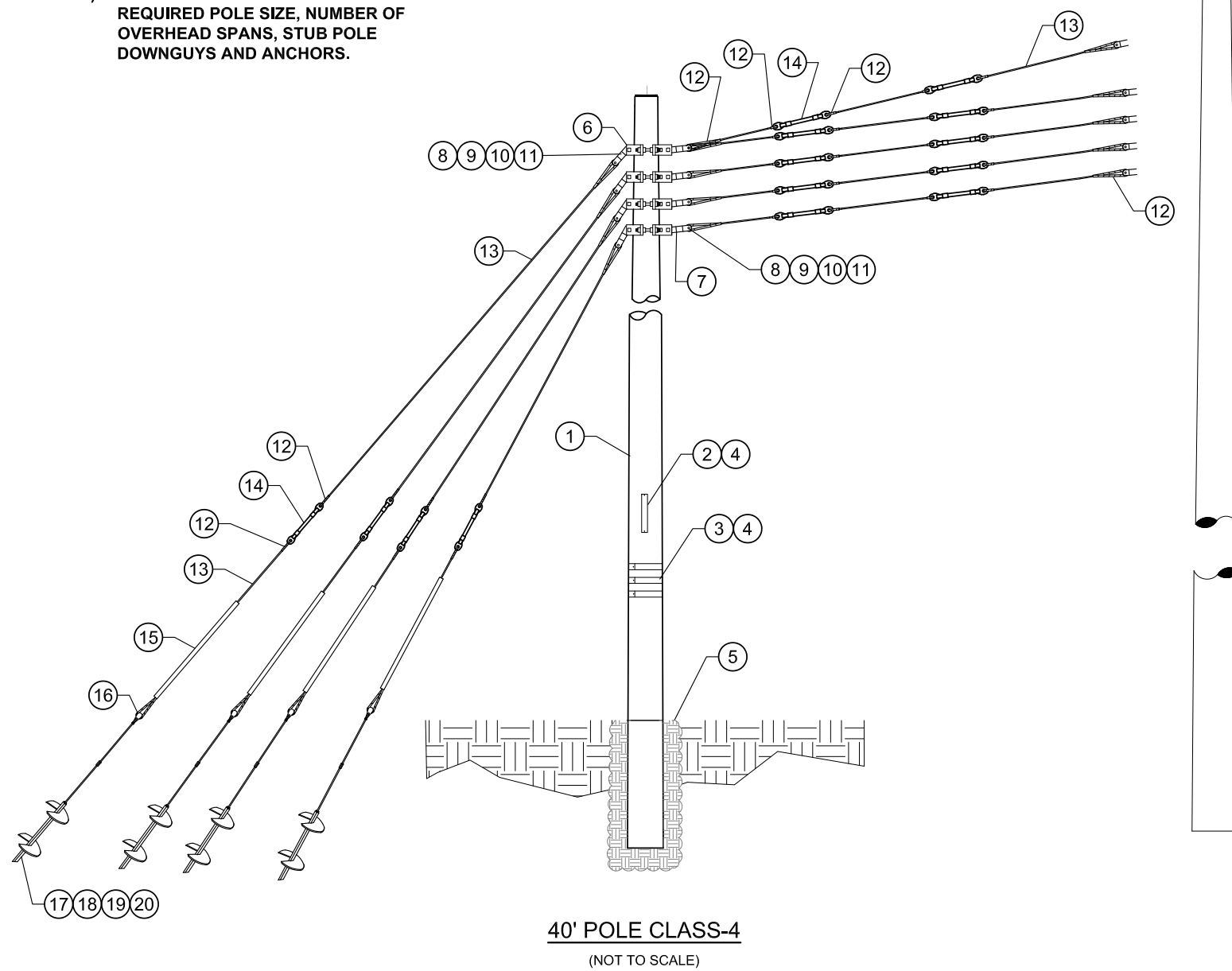


DETAIL B-POST INSULATOR FRAMING/BONDING

REV.	DESCRIPTION	DATE	BY	REV.	DESCRIPTION	DATE	BY	DRN	AV	08/22/17	 IMPERIAL IRRIGATION DISTRICT TRANSMISSION STANDARDS 92KV COMPLETE ARRANGEMENTS	SHEET NO.	REV
1								CKD	CA	08/22/17		1/1 	
2								APR	NG	08/22/17	STANDARD NO. TS1-C005-S		

SGLE. CKT. TANGENT-DELTA CONFIGURATION 75'-H2 POLE
795 AAC 'ARBUTUS' COND. & STATIC WIRE

NOTES:
 1) ENGINEER SHALL DETERMINE THE REQUIRED POLE SIZE, NUMBER OF OVERHEAD SPANS, STUB POLE DOWNGUYS AND ANCHORS.



WOOD POLE

ITEM#	STOCK#	MATERIAL DESCRIPTION	QUANTITY
1	40004731	POLE-WOOD 40 FT. CLASS 4 (PO-5)	1
2	40006828	HOLDER-MARKER, 8 POS. 8.25 X 1.67	1
3	40003995	STRIP-VISIBILITY 2 INCH X 14 INCH YELLOW REFLECTORS	6
4	40003726	NAILS,ROOFING,GALV.(180 PCS/LB), EACH/LB	1
5	NSI	ROAD BASE, WOOD POLE COMPACTION; CUBIC YARD.	1

GUYING

ITEM#	STOCK#	MATERIAL DESCRIPTION	QUANTITY
6	40002967	BAND-POLE 7 TO 10 INCH HUGHES 3105.5	4
7	40003613	LINK-CONNECTING FOR POLE BANDS HUGHES 3152	16
8	40002969	BOLT-MACHINE 7/8 X 4" GALV HUGHES B84-2	8
9	40004190	WASHER-ROUND 15/16 IN. (7/8)	8
10	40003762	NUT-LOCK, MF TYPE 7/8 IN. SQUARE GALV.	8
11	40003826	ROLLER-GUY FOR POLE BANDS HUGHES 28082	8
12	40003519	GRIP-STEEL GUY 3/8 IN. GALVANIZED	46
13	40004329	WIRE-GUY 3/8 IN.E.H.STRENGTH STEEL GALV., FT.	AS REQUIRED
14	40006689	INSULATOR-STRAIN FIBERGLASS 30M#	14
15	40003506	GUARD GUY, PLASTIC YELLOW.	4
16	40002838	ATTACHMENT-TRIPLEYE 1" FOR ANCHOR RODS	4
17	40002833	ROD-ANCHOR EXTENSION, 1" X 3-1/2 FOOT	4
18	40002835	COUPLER-ANCHOR EXTENSION ROD, 1" SIZE	4
19	40006640	ROD-ANCHOR EXT, 1" X 7 FT, CORR PROT	4
20	40002829	ANCHOR-8 INCH SINGLE HELIX	4

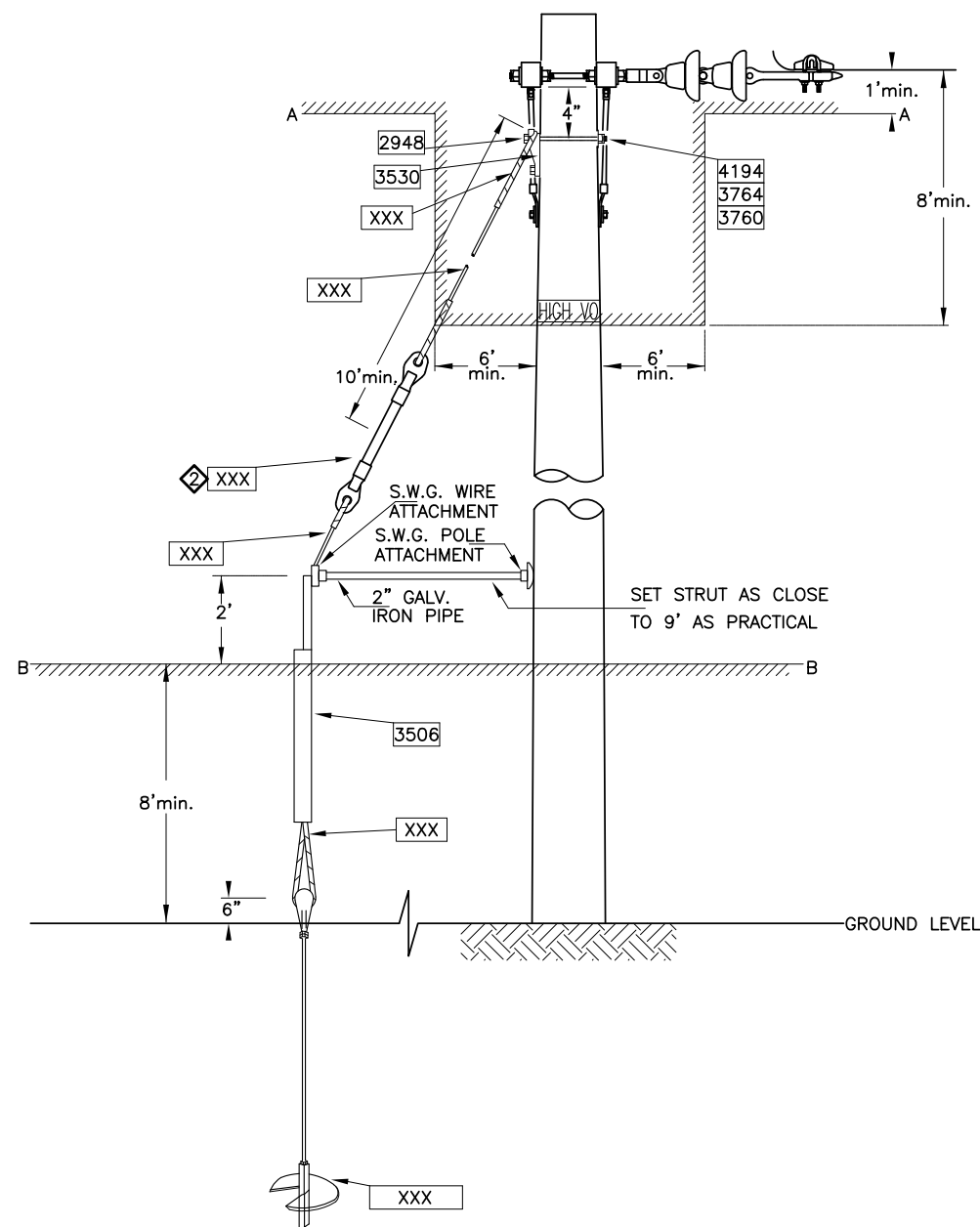
REV.	DESCRIPTION	DATE	BY	REV.	DESCRIPTION	DATE	BY
1							

DRN	JC	08/31/21
CKD	AV	08/31/21
APR	CA	08/31/21
SCALE: NONE		



IMPERIAL IRRIGATION DISTRICT
 TRANSMISSION STANDARDS
 GUYING AND ANCHORING
 STUB POLE ASSEMBLY
 5 D.H. GUYS, 4 ANCHOR GUYS

SHEET NO.	REV
1/1	0
DRAWING NO.	
TSD-G063	



NOTES:


1. THIS ASSEMBLY SHALL BE USED FOR LIGHT DUTY CONSTRUCTION ONLY FOR CONDUCTOR SIZES, #2 ACSR, 1/0 AAC AND 3/0 AAC.


◆ STRAIN INSULATOR 6689 TO BE INSTALLED OUTSIDE THE SHADED AREA, A-A AND ABOVE THE SHADED AREA, B-B.(G.O. 95 RULE 56.7.B).

DRAWN BY		IMPERIAL IRRIGATION DISTRICT	
REVIEWED	---	30000053	
APPROVED	---		
REVISION	REV 01	GUY, SIDEWALK	
DATE	8-23-2016	210.151	

BILL OF MATERIAL:

Item No.	Quantity	Description	Material No.
30000034	1	GUY ANCHOR	30000034
3506	1	GUARD-GUY 8 FT YELLOW, POLYETHYLENE	40003506
6689	1	INSULATOR-STRAIN FIBERGLASS 30M#	40006689
4329	45	WIRE-GUY 3/8"XTRA-HI STRGTH GALV CLASS A	40004329
3530	1	ATTACHMENT-GUY HOOKS 1/4-7/16" GUY WIRE	40003530
3519	4	GRIP-STEEL GUY 3/8 IN. GALVANIZED	40003519
2948	1	BOLT-MACHINE 5/8 X 10 GALVANIZED	40002948
3760	1	NUT-LOCK, MF TYPE 5/8 IN. SQUARE GALV	40003760
4194	1	WASHER-SQ CURVED 11/16" 3 X 3 X 1/4 INCH	40004194
3764	1	WASHER-LOCK DBLE COIL SPRING 5/8" GALV	40003764
3535	1	ATTACHMENT-CLAMP BOLTED FOR SIDEWALK GUY	40003535
3534	1	ATTACHMENT-GUY POLE PLATE/SIDEWALK GUYS	40003534
3118	1	CLAMP-GUY WIRE 3-BOLT	40003118
3177	10	CONDUIT-RIGID 2 IN. GALV.-154 WALL	40003177
3829	4	SCREW-LAG,1/2 X 4-1/2 INCH GALVANIZED	40003829



DRAWN BY		IMPERIAL IRRIGATION DISTRICT	
REVIEWED	---	30000053	
APPROVED	---		
REVISION	REV 01	GUY, SIDEWALK	
DATE	8-23-2016	210.152	

REV.	DESCRIPTION	DATE	BY	REV.	DESCRIPTION	DATE	BY	DRN	AV	DATE	IMPERIAL IRRIGATION DISTRICT		SHEET NO.	REV
1	MOD. CLAMP TO ELASTOMER TYPE	06/10/19	A.VELAZQUEZ					CKD	CA	12/08/17	TRANSMISSION STANDARDS		1/1	△
								APR	NG	12/08/17			STANDARD NO.	
								SCALE: NONE			SIDE WALK GUY		210.151 & 152	

STOCK#	DESCRIPTION	QTY	UNIT
40004739	POLE - WOOD - 7SFT. CL-H2	1	Each
40006018	SIGN-(HIGH VOLTAGE) YELLOW 4 X 30"	1	Each
40006828	HOLDER-MARKER, 8 POS. 8.25 X 1.67	1	Each
40006647	SIGN-POLE ATTENTION NO VALUE WIRE	1	Each
40003995	STRIP-VISIBILIY 2 X 14" IYPE-L YELLOW	6	Each
40003726	NAILS,ROOFING,GALV.(180 PCS/LB), EACH/LB	1	Each
40003559	INSULATOR-SUSPENSION POLYMER ISKV	6	Each
40002863	BAND-POLE 9 TO 12 INCH HUGHES 3105.6	2	Each
40002865	BAND-POLE 11TO 14 INCH HUGHES 3105.7	2	Each
40003134	CLAMP-DE STRAIN W/SKT EYE 795/954MCM MC	6	Each
40003538	CUP-GROUND WIRE 1/2"	4	Each
40003829	SCREW-LAG, 1/2 X 4-1/2 INCH GALVANIZED	12	Each
40003411	AMPACT-ALUMINUM TAP-Y 795-715	3	Each
40003374	AMPACT-CARTRIDGE-YELLDW #69338-4	3	Each
40004311	WIRE-ALUM 795MCM CL37 STR BARE"ARBUTUS"	-	Each
40007766	CLAMP-STRAIN DE - 3/8" STATIC WIRE	2	Each
40003381	AMPACT-ALUMINUM TAP-B 4/0-4 #600456	2	Each
40003376	AMPACT-ALUMN TAP-B 1/0-1/0-2,1/0-2	2	Each
40003372	AMPACT CATRIDGE-BLUE CATALOG #69339-1	4	Each
		-	Each
40004221	WIRE-COPPER #4 SOL S.D. BARE 50 LB COIL	12	LBS
40003934	STAPLE-OROUND WIRE -1/4X1/4 COPPERWELD	36	Each
40006581	STAPLE-MOULDING BARBED GALV 2" X 5/8"	135	Each
40006582	MOULDING-GROUND WIRE PLASTIC 1/2" X 8'	9	Each
40006591	WIRE-COPPER WELD 2AWG STR 7W 40% CND	15	FT
40003263	CONNECTOR-COMPRESSION KEARNEY 302-82	2	Each
40002953	BOLT-MACHINE 5/8" X 20" GALV.	1	Each
40004191	WASHER-SQUARE 11/16" IN. 2 X 2 X 1/8"	2	Each
40003540	CUP-BONDING, HUGHES 2727.6	2	Each
40003755	NUT-SQUARE MACHINE 5/8" GALV.	1	Each
40003760	NUT-LOCK, MF IYPE 5/8 IN. SQUARE GALV	1	Each
40006725	CONNECTOR-COMPRESSION KEARNEY 304-82	1	Each
40004759	COVER TRANSFORMER BOLT	2	Each



STOCK#	DESCRIPTION	QTY	UNIT
40003117	CLAMP-GROUND ROD 5/8 INCH	2	Each
40003814	ROD-GROUND 5/8 INCH X 8 FOOT	2	Each
40003613	LINK-CONNECTING FOR POLE BANDS HUGHES 3152	56	Each
40002967	BOLT-MACHINE 7/8 X 3 GALVANIZED	26	Each
40002969	BOLT-MACHINE 7/8 X 4" GALV HUGHES B84-2	2	Each
40004190	WASHER-ROUND 15/16 IN. (7/8)	28	Each
40003762	NUT-LOCK, MF IYPE 7/8 IN. SQUARE GALV.	28	Each
40003826	ROLLER-GUY FOR POLE BANDS HUGHES 28082	20	Each
40003519	GRIP-STEEL GUY 3/8 IN. GALVANIZED	66	Each
40006689	INSULATOR-STRAIN FIBERGLASS 30M#	20	Each
40003506	GUARD GUY, PLASTIC YELLOW.	10	Each
40002838	ATTACHMENT-TRIPLEYE 1" FOR ANCHOR RODS	8	Each
40002833	ROD-ANCHOR EXTENSION, 1" X 3-1/2 FOOT	8	Each
40002835	COUPLER-ANCHOR EXTENSION ROD, 1" SIZE	8	Each
40006640	ROD-ANCHOR EXT, 1" X 7 FT, CORR PROT	8	Each
40002832	ANCHOR-10 INCH DOUBLE HELIX	8	Each
40003565	INSULATOR-STRAIN, GUY 120 INCH X 30,000#	1	Each
40006659	DEAD END-ARM ASSM. 10 FT FIBERGLASS	2	Each
40003560	INSULATOR-D.E. DISTRIB. POLYMER, 15 KV	8	Each
40003128	CLAMP-STRAIN DE STR CLEVIS #2-477 MCM AL	8	Each
40002964	BOLT-MACHINE 3/4 X 18 GALVANIZED	4	Each
40004195	WASHER-SQ CURVED 13/16" 4 X 4 X 1/4 IN.	4	Each
40003765	WASHER-LOCK DBLE COIL SPRING 3/4" GALV	4	Each
40003761	NUT-LOCK, MF IYPE 3/4 IN SQUARE	4	Each
40003398	AMPACT-ALUM TAP-Y 397.4 TO 3/0 AAC	2	Each
40003419	AMPACT-ALUM TAP-Y 397-397 MCM AL STRD	6	Each
40003374	AMPACT-CARTRIDGE-YELLOW #69338-4	8	Each
40003561	INSULATOR-PIN IYPE F-NECK WHITE 55-4	2	Each
40003570	INSULATOR-PIN IYPE 14.4 KV F-NECK GREY	2	Each
40003590	PIN-INSUL.LG SHANK 5/8X11-1/2" W/NUTS	4	Each
40004680	TIE-DIST. 397.5 MCM AAC W/"F" NECK INS.	4	Each
NSI	ROAD BASE, WOOD POLE COMPACTION; CUBIC YARD.	1	Each
40004310	WIRE-ALUM 397.SMCM 19STR AA BARE"CANNA"	6220	LBS
40004311	WIRE-ALUM 795MCM CL37 STR BARE"ARBUTUS"	4672	LBS
40004329	WIRE-GUY 3/8"XTRA-HI STRGTH GALV CLASS A	1550	FT

A
B
C
D

										<table border="1"> <tr><td>DSGN</td><td>GC</td><td>01/04/22</td></tr> <tr><td>DRN</td><td>GC</td><td>01/04/22</td></tr> <tr><td>CKD</td><td>CA</td><td>01/04/22</td></tr> </table>	DSGN	GC	01/04/22	DRN	GC	01/04/22	CKD	CA	01/04/22		IMPERIAL IRRIGATION DISTRICT SHOE FLY 92 kV "PW/ED" TRANSMISSION LINES MATERIAL LIST	SHEET 1/6 JOB NUMBER 60130961 REV 
DSGN	GC	01/04/22																				
DRN	GC	01/04/22																				
CKD	CA	01/04/22																				
<table border="1"> <tr><td>1</td><td>ISSUED FOR REVIEW</td><td>01/04/22</td><td>GC</td><td>GC</td><td></td><td></td><td></td><td></td><td></td></tr> <tr><td>REV</td><td>REVISIONS</td><td>DATE</td><td>DRN</td><td>DSGN</td><td>CKD</td><td>APPD</td><td></td><td></td><td></td></tr> </table>	1	ISSUED FOR REVIEW	01/04/22	GC	GC						REV	REVISIONS	DATE	DRN	DSGN	CKD	APPD				SCALE: N.T.S. FOR 11x17 DWG ONLY	DRAWING NUMBER ML-1
1	ISSUED FOR REVIEW	01/04/22	GC	GC																		
REV	REVISIONS	DATE	DRN	DSGN	CKD	APPD																

STOCK#	DESCRIPTION	QTY	UNIT
40004739	POLE - WOOD - 7SFT. CL-H2	1	Each
40006018	SIGN-(HIGH VOLTAGE) YELLOW 4 X 30"	1	Each
40006828	HOLDER-MARKER, 8 POS. 8.25 X 1.67	1	Each
40006647	SIGN-POLE ATTENTION ND VALUE WIRE	1	Each
40003995	STRIP-VISIBILIY 2 X 14" TYPE-L YELLOW	6	Each
40003726	NAILS,ROOFING,GALV.(180 PCS/LB), EACH/LB	1	Each
40003559	INSULATOR-SUSPENSION POLYMER ISKV	6	Each
40002863	BAND-POLE 9 TO 12 INCH HUGHES 3105.6	2	Each
40002865	BAND-POLE 11TO 14 INCH HUGHES 3105.7	2	Each
40003134	CLAMP-DE STRAIN W/SKT EYE 795/954MCM MC	6	Each
40003538	CUP-GROUND WIRE 1/2"	4	Each
40003829	SCREW-LAG, 1/2 X 4-1/2 INCH GALVANIZED	12	Each
40003411	AMPACT-ALUMINUM TAP-Y 795-715	3	Each
40003374	AMPACT-CARTRIDGE-YELLDW #69338-4	3	Each
40004311	WIRE-ALUM 795MCM CL37 STR BARE"ARBUTUS"	-	Each
40007766	CLAMP-STRAIN DE - 3/8" STATIC WIRE	2	Each
40003381	AMPACT-ALUMINUM TAP-B 4/0-4 #600456	2	Each
40003376	AMPACT-ALUMN TAP-B 1/0-1/0-2,1/0-2	2	Each
40003372	AMPACT CATRIDGE-BLUE CATALOG #69339-1	4	Each
		-	Each
40004221	WIRE-COPPER #4 SOL S.D. BARE 50 LB COIL	12	LBS
40003934	STAPLE-OROUND WIRE -1/4X1/4 COPPERWELD	36	Each
40006581	STAPLE-MOULDING BARBED GALV 2" X 5/8"	135	Each
40006582	MOULDING-GROUND WIRE PLASTIC 1/2" X 8'	9	Each
40006591	WIRE-COPPER WELD 2AWG STR 7W 40% CND	15	FT
40003263	CONNECTOR-COMPRESSION KEARNEY 302-82	2	Each
40002953	BOLT-MACHINE 5/8" X 20" GALV.	1	Each
40004191	WASHER-SQUARE 11/16" IN. 2 X 2 X 1/8"	2	Each
40003540	CUP-BONDING, HUGHES 2727.6	2	Each
40003755	NUT-SQUARE MACHINE 5/8" GALV.	1	Each
40003760	NUT-LOCK, MF IYPE 5/8 IN. SQUARE GALV	1	Each
40006725	CONNECTOR-COMPRESSION KEARNEY 304-82	1	Each
40004759	COVER TRANSFORMER BOLT	2	Each
40003117	CLAMP-GROUND ROD 5/8 INCH	2	Each

STOCK#	DESCRIPTION	QTY	UNIT
40003814	ROD-GROUND 5/8 INCH X 8 FOOT	2	Each
40003613	LINK-CONNECTING FOR POLE BANDS HUGHES 3152	36	Each
40002967	BOLT-MACHINE 7/8 X 3 GALVANIZED	14	Each
40002969	BOLT-MACHINE 7/8 X 4" GALV HUGHES B84-2	2	Each
40004190	WASHER-ROUND 15/16 IN. (7/8)	16	Each
40003762	NUT-LOCK, MF IYPE 7/8 IN. SQUARE GALV.	16	Each
40003826	ROLLER-GUY FOR POLE BANDS HUGHES 28082	10	Each
40003519	GRIP-STEEL GUY 3/8 IN. GALVANIZED	32	Each
40004329	WIRE-GUY 3/8"XTRA-HI STRGTH GALV CLASS A	600	FT
40006689	INSULATOR-STRAIN FIBERGLASS 30M#	8	Each
40003506	GUARD GUY, PLASTIC YELLOW.	10	Each
40002838	ATTACHMENT-TRIPLEYE 1" FOR ANCHOR RODS	8	Each
40002833	ROD-ANCHOR EXTENSION, 1" X 3-1/2 FOOT	8	Each
40002835	COUPLER-ANCHOR EXTENSION ROD, 1" SIZE	8	Each
40006640	ROD-ANCHOR EXT, 1" X 7 FT, CORR PROT	8	Each
40002832	ANCHOR-10 INCH DOUBLE HELIX	8	Each
40003565	INSULATOR-STRAIN, GUY 120 INCH X 30,000#	4	Each
40003535	ATTACHMENT-CLAMP BOLTED FOR SIDEWALK GUY	4	Each
40003534	ATTACHMENT-GUY POLE PLATE/SIDEWALK GUYS	4	Each
40003118	CLAMP-GUY WIRE 3-BOLT	4	Each
40003177	CONDUIT-RIGID 2 IN. GALV-.154 WALL	40	FT
40003829	SCREW-LAG, 1/2 X 4-1/2 INCH GALVANIZED	16	Each
40006659	DEAD END-ARM ASSM. 10 FT FIBERGLASS	2	Each
40003560	INSULATOR-D.E. DISTRIB. POLYMER, S KV	8	Each
40003128	CLAMP-STRAIN DE STR CLEVIS #2-477 MCM AL	8	Each
40002964	BOLT-MACHINE 3/4 X 18 GALVANIZED	4	Each
40004195	WASHER-SQ CURVED 13/16" 4 X 4 X 1/4 IN.	4	Each
40003765	WASHER-LOCK DBLE COIL SPRING 3/4" GALV	4	Each
40003761	NUT-LOCK, MF IYPE 3/4 IN SQUARE	4	Each
40003398	AMPACT-ALUM TAP-Y 397.4 TO 3/0 AAC	2	Each
40003419	AMPACT-ALUM TAP-Y 397-397 MCM AL STRD	6	Each
40003374	AMPACT-CARTRIDGE-YELLOW #69338-4	8	Each
40003561	INSULATOR-PIN TYPE F-NECK WHITE SS-4	2	Each
40003570	INSULATOR-PIN TYPE 14.4 KV F-NECK GREY	2	Each
40003590	PIN-INSUL.LG SHANK 5/8XII-1/2" W/NUTS	4	Each
40004680	TIE-DIST. 397.5 MCM AAC W/"F" NECK INS.	4	Each
NSI	ROAD BASE, WOOD POLE COMPACTION; CUBIC YARD.	1	Each

										DSGN GC 01/04/22 DRN GC 01/04/22 CKD CA 01/04/22		 IMPERIAL IRRIGATION DISTRICT SHOE FLY 92 kV "PW/ED" TRANSMISSION LINES MATERIAL LIST	SHEET 2/6 JOB NUMBER 60130961 REV 
1 ISSUED FOR REVIEW		01/04/22	GC	GC	SCALE: N.T.S.		FOR 11x17 DWG ONLY		DRAWING NUMBER ML-1				
REV REVISIONS		DATE	DRN	DSGN	CKD	APPD	REFERENCE DRAWINGS						

STOCK#	DESCRIPTION	QTY	UNIT	STOCK#	DESCRIPTION	QTY	UNIT
40004739	POLE - WOOD - 75 FT. CL-H2	1	Each	40004739	POLE - WOOD - 75 FT. CL-H2	1	Each
40006018	SIGN-(HIGH VOLTAGE) YELLOW 4 X 30"	1	Each	40006018	SIGN-(HIGH VOLTAGE) YELLOW 4 X 30"	1	Each
40006828	HOLDER-MARKER, 8 POS. 8.25 X 1.67	1	Each	40006828	HOLDER-MARKER, 8 POS. 8.25 X 1.67	1	Each
40006647	SIGN-POLE ATTENTION NO VALUE WIRE	1	Each	40006647	SIGN-POLE ATTENTION NO VALUE WIRE	1	Each
40003995	STRIP-VISIBILITY 2 INCH X 14 INCH YELLOW REFLECTORS	6	Each	40003995	STRIP-VISIBILITY 2 X 14" TYPE-L YELLOW	6	Each
40003726	NAILS,ROOFING,GALV.(180 PCS/LB), EACH/LB	1	Each	40003726	NAILS,ROOFING,GALV.(180 PCS/LB), EACH/LB	1	Each
40003574	INSULATOR-HORIZONTAL POST 115 KV POLYMER	3	Each	40003574	INSULATOR-HORIZONTAL POST 115 KV POLYMER	3	Each
40003824	ROD-ALUMINUM ALLOY ARMOR 795 MCM ALUM.	3	Each	40003824	ROD-ALUMINUM ALLOY ARMOR 795 MCM ALUM.	3	Each
40002972	BOLT-MACHINE 7/8 X 16 GALVANIZED	2	Each	40002973	BOLT-MACHINE 7/8 X 18 GALV.	2	Each
40002973	BOLT-MACHINE 7/8 X 18GALV.	4	Each	40002970	BOLT-MACHINE 7/8 X 20 GALV	4	Each
40004196	WASHER-SQ CURVED 7/8 IN.-4 X 4 X 1/4 IN.	6	Each	40004196	WASHER-SQ CURVED 7/8 IN.-4 X 4 X 1/4 IN.	6	Each
40003766	WASHER-LOCK DBLE COIL SPRING 7/8" GALV	6	Each	40003766	WASHER-LOCK DBLE COIL SPRING 7/8" GALV	6	Each
40004190	WASHER-ROUND 15/16 IN. (7/8)	18	Each	40006508	CLIP-BONDING 7/8" FOR 5/16" MAX WIRE DIA	3	Each
40006508	CLIP-BONDING 7/8" FOR 5/16" MAX WIRE DIA	3	Each	40003762	NUT-LOCK, MF TYPE 7/8 IN. SQUARE GALV.	6	Each
40003762	NUT-LOCK, MF TYPE 7/8 IN. SQUARE GALV.	6	Each	40003757	NUT-SQUARE MACHINE 7/8 INCH GALVANIZED	3	Each
40003757	NUT-SQUARE MACHINE 7/8 INCH GALVANIZED	3	Each	40002864	BAND-POLE TOP STATIC WIRE 10 TO 13 INCH	1	Each
40002864	BAND-POLE TOP STATIC WIRE 10 TO 13 INCH	1	Each	40003537	CLIP-GROUND WIRE ,3/8"	1	Each
40003537	CLIP-GROUND WIRE ,3/8"	1	Each	40003119	CLAMP-SUSPENSION GUY WIRE	1	Each
40003119	CLAMP-SUSPENSION GUY WIRE	1	Each	40003372	AMPACT-CARTRIDGE-BLUE CATALOG NO. 669338--1	1	Each
40003372	AMPACT-CARTRIDGE-BLUE CATALOG NO. 669338--1	1	Each	40003381	AMPACT-ALUMINUM WIRE TAP 4/0-4, CATALOG NO. 6D04S6	1	Each
40003381	AMPACT-ALUMINUM WIRE TAP 4/0-4, CATALOG NO. 6D04S6	1	Each	40003823	ROD-GALV STEEL PREFORMED 3/8" GUY WIRE	1	Each
40003823	ROD-GALV STEEL PREFORMED 3/8" GUY WIRE	1	Each	40004221	WIRE-COPPER #4 SOL S.D. BARE 50 LB COIL .1264 LBS PER FT	12	LBS
40004221	WIRE-COPPER #4 SOL S.D. BARE 50 LB COIL .1264 LBS PER FT	12	LBS	40003934	STAPLE-GROUND WIRE 1-1/4 X 1/2 COPPERWELD J-6493	140	Each
40003934	STAPLE-GROUND WIRE 1-1/4X1/4 COPPERWELD	36	Each	40006581	STAPLE-MOULDING BARBED GALV. 2" X 5/8"	110	Each
40006581	STAPLE-MOULDING BARBED GALV. 2" X 5/8"	135	Each				
40006582	MOULDING-OROUND WIRE PLASTIC 1/2" X 8'	9	Each				
40006591	WIRE - COPPER WELD 2AWG STR 7W 40% CND	15	FT				
40003263	CONNECTOR-COMPRESSION KEARNEY 302-82	5	Each				
40002953	BOLT MACHINE 5/8" X 20" GALVANIZED	1	Each				
40004191	WASHER-SQUARE 11/16 IN. 2 X 2 X 1/8"	2	Each				
40003540	CLIP-BONDING, HUGHES 2727.6	1	Each				
40003755	NUT-SQUARE MACHINE 5/8 IN. GALVANIZED	1	Each				
40003760	NUT-LOCK, MF TYPE 5/8 IN. SQUARE GALV	1	Each				
40006725	CONNECTOR-COMPRESSION KEARNEY 304-82	1	Each				
40004759	COVER-TRANSFORMER BOLT,CURVED PLASTIC	2	Each				
40003117	CLAMP-OROUND ROD 5/8 INCH	2	Each				
40003814	ROD-GROUND 5/8 INCH X 8 FOOT	2	Each				
NSI	ROAD BASE, WOOD POLE COMPACTION; CUBIC YARD.	1	Each				

SHEET 3/6

DSGN	GC	01/04/22
DRN	GC	01/04/22
CKD	CA	01/04/22
SCALE:		N.T.S.
FOR 11x17 DWG ONLY		




IMPERIAL IRRIGATION DISTRICT
SHOE FLY
92 kV "PW/ED" TRANSMISSION LINES
MATERIAL LIST

JOB NUMBER	REV
60130961	△
DRAWING NUMBER	
ML-1	

REV	REVISIONS	DATE	DRN	DSGN	CKD	APPD	REFERENCE DRAWINGS
1	ISSUED FOR REVIEW	01/04/22	GC	GC			

STOCK#	DESCRIPTION	QTY	UNIT	STOCK#	DESCRIPTION	QTY	UNIT
40004739	POLE - WOOD - 75 FT. CL-H2	1	Each	40003009	BRACE-REVERS. WOOD X-ARM 72 SP X22" DRP	2	Each
40006018	SIGN-(HIGH VOLTAGE) YELLOW 4 X 30"	1	Each	40004221	WIRE-COPPER #4 SOL S.D. BARE SO LB COIL	12	LBS
40006828	HOLDER-MARKER, 8 POS. 8.25 X 1.67	1	Each	40003934	STAPLE-GROUND WIRE 1-1/4X1/4 COPPERWELD	36	Each
40006647	SIGN-POLE ATTENTION NOVALUE WIRE	1	Each	40006581	STAPLE-MOULDI NG BARBED GALV. 2" X S/8"	135	Each
40003995	STRIP-VISIBILITY 2 X 14" TYPE-L YELLOW	6	Each	40006582	MOULDING-GROUND WIRE PLASTIC 1/2" X 8'	9	Each
40003726	NAIL-GALV. ROOFING,1-1/4" LONG	1	Each	40006591	WIRE - COPPER WELD 2AWG STR 7W 40% CND	15	FT
40002867	BAND-POLE 8-1/2 TO 11IN HUGHES 2837.6K	1	Each	40003263	CONNECTOR-COMPRESSI ON KEARNEY 302-82	5	Each
40003537	CLIP-GROUND WIRE 3/8"	1	Each	40002953	BOLT MACHINE S/8" X 20" GALVANIZED	1	Each
40004378	FIBEROPTIC-CLAMP SUSPENSION	11	Each	40004191	WASHER-SQUARE 11/16IN.2 X 2 X1/8"	2	Each
40006646	CLEVIS-EYE 11/16" 30,000LB STRENGTH	1	Each	40003540	CLIP-BONDING, HUGHES 2727.6	1	Each
40007764	CONNECTOR-COMP TERM 1/2" STUD TO #4CU	1	Each	40003755	NUT-SQUARE MACHINE S/8 IN. GALVANIZED	1	Each
40003574	INSULATOR-HORIZONTAL POST 115 KV POLYMER	6	Each	40003760	NUT-LOCK, MF TYPE S/8 IN. SQUARE GALV	1	Each
40003824	ROD-ALUMINUM ALLOY ARMOR 795 MCM ALUM.	6	Each	40006725	CONNECTOR-COMPRESSI ON KEARNEY 304-82	1	Each
40002984	BOLT - DOUBLE ARMING - 7/8"x 22"	3	Each	40004759	COVER-TRANSFORMER BOLT,CURVED PLASTIC	2	Each
40002985	BOLT - DOUBLE ARMING - 7/8"x 24"	3	Each	40003117	CLAMP-GROUND ROD S/8 INCH	2	Each
40003766	WASHER-LOCK DBLE COIL SPRING 7/8" GALV	12	Each	40003814	ROD-GROUND 5/8 INCH X 8 FOOT	2	Each
40006508	CLIP-BONDING 7/8" FOR 5/16" MAX WIRE DIA	3	Each	40007278	FIBEROPTIC-CABLE 48 FIB OPTICAL GRNDWIRE	2400	FT
40003762	NUT-LOCK, MF TYPE 7/8 IN. SQUARE GALV.	12	Each	NSI	ROAD BASE, WOOD POLE COMPACTION; CUBIC YARD.	1	Each
40002938	BOLT-MACHINE 1/2X 6 GALVANIZED	2	Each				
40003759	NUT-LOCK. MF TYPE 1/2 IN.SQUARE GALV	2	Each				
40003763	WASHER-LOCK DBLE COIL SPRING 1/2" GALV	2	Each				
40004187	WASHER-ROUND 9/16 IN. (1/2)	2	Each				
40003579	INSULATOR-LINE POST TY TOP W/LG STUD "F"	3	Each				
40003561	INSULATOR-PIN TYPE F-NECK WHITE 55-4	1	Each				
40004680	TIE-DIST. 397.5 MCM AAC W/"F" NECK INS.	4	Each				
40003790	PIN-INSUL.LG SHANK 5/8XII-1/2" W/NUTS	1	Each				
40002951	BOLT-MACHINE 5/8 X 16 GALVANIZED	1	Each				
40002953	BOLT-MACHINE 5/8 X 20 GALVANIZED	1	Each				
40003760	NUT-LOCK, MF TYPE 5/8 IN.SQUARE GALV	2	Each				
40003764	WASHER-LOCK DBLE COIL SPRING 5/8" GALV	2	Each				
40004188	WASHER-ROUND 11/16 IN. (5/8)	2	Each				
40004191	WASHER-SQUARE 11/16 IN.-2X 2 X 1/8 INCH	2	Each				
40004194	WASHER-SQ CURVED 11/16" 3 X 3 X1/4 INCH	2	Each				
40003320	CROSSARM-10 FOOT 6-PIN PENTA TREATED	1	Each				

								<table border="1"> <tr><td>DSGN</td><td>GC</td><td>01/04/22</td></tr> <tr><td>DRN</td><td>GC</td><td>01/04/22</td></tr> <tr><td>CKD</td><td>CA</td><td>01/04/22</td></tr> </table>	DSGN	GC	01/04/22	DRN	GC	01/04/22	CKD	CA	01/04/22		IMPERIAL IRRIGATION DISTRICT	JOB NUMBER	REV
DSGN	GC	01/04/22																			
DRN	GC	01/04/22																			
CKD	CA	01/04/22																			
								<table border="1"> <tr><td>60130961</td><td>△</td></tr> </table>	60130961	△											
60130961	△																				
								SCALE: N.T.S.	<table border="1"> <tr><td>92 kV "PW/ED" TRANSMISSION LINES</td></tr> <tr><td>MATERIAL LIST</td></tr> </table>	92 kV "PW/ED" TRANSMISSION LINES	MATERIAL LIST	DRAWING NUMBER									
92 kV "PW/ED" TRANSMISSION LINES																					
MATERIAL LIST																					
								ML-1													
1	ISSUED FOR REVIEW	01/04/22	GC	GC																	
REV	REVISIONS	DATE	DRN	DSGN	CKD	APPD	REFERENCE DRAWINGS	FOR 11x17 DWG ONLY													

STOCK#	DESCRIPTION	QTY	UNIT
40004739	POLE - WOOD - 75FT. CL-H2	1	Each
40006018	SIGN-(HIGH VOLTAGE) YELLOW 4 X 30"	1	Each
40006828	HOLDER-MARKER, 8 PCS. 8.25 X 1.67	1	Each
40006647	SIGN-POLE ATTENTION NO VALUE WIRE	1	Each
40003995	STRIP-VISIBILIY 2 X 14" IYPE-L YELLOW	6	Each
40003726	NAIL-GALV. ROOFING, 1-1/4" LONG	1	Each
NSI	ROAD BASE, WOOD POLE COMPACTION; CUBIC YARD.	1	Each
40003559	INSULATOR-SUSPENSION POLYMER 115KV	6	Each
40002863	BAND-POLE 9 TO 12 INCH HUGHES 3105.6	1	Each
40002865	BAND-POLE 11TO 14 INCH HUGHES 3105.7	3	Each
40003134	CLAMP-DE STRAIN W/SKT EYE 795/954MCM MC	6	Each
40003538	CUP-GROUND WIRE 1/2"	4	Each
40003829	SCREW-LAG,1/2 X 4-1/2 INCH GALVANIZED	12	Each
40003411	AMPACT-ALUMINUM TAP-Y 795-715	3	Each
40003374	AMPACT-CARTRIDGE-YELLOW #69338-4	3	Each
40004311	WIRE-ALUM 795MCM CL37 STR BARE"ARBUTUS"	-	Each
40007766	CLAMP-STRAI N DE - 3/8" STATIC WIRE	1	Each
40003381	AMPACT-ALUMINUM TAP-B 4/0-4 #600456	1	Each
40003376	AMPACT-ALUM TAP-B 1/CH/0,2/0-2,1/0-2	1	Each
40003372	AMPACT CARTRIDGE-BLUE CATALOG #69339-1	2	Each
40004221	WIRE-COPPER #4 SOL S.D. BARE 50 LB COIL	12	LBS
40003934	STAPLE-GROUND WIRE 1-1/4 X 1/2 COPPERWELD J-6493	36	Each
40006581	STAPLE-MOULDING BARBED GALV 2" X 5/8"	135	Each
40006582	MOULDING-GROUND WIRE PLASTIC 1/2" X 8'	9	Each
40006591	WIRE-COPPER WELD 2AWG STR 7W 40% CND	15 FT	FT
40003263	CONNECTOR-COMPRESSION KEARNEY 302-82	2	Each
40002953	BOLT-MACHINE 5/8" X 20" GALV.	1	Each
40004191	WASHER-SQUARE 11/16" IN. 2 X 2 X 1/8"	2	Each
40003540	CUP-BONDING, HUGHES 2727.6	1	Each

STOCK#	DESCRIPTION	QTY	UNIT
40003755	NUT-SQUARE MACHINE 5/8" GALV.	1	Each
40003760	NUT-LOCK, MF IYPE 5/8 IN. SQUARE GALV	1	Each
40006725	CONNECTOR-COMPRESSION KEARNEY 304-82	1	Each
40004759	COVER TRANSFORMER BOLT	2	Each
40003117	CLAMP-ORDUNO ROD 5/8 INCH	2	Each
40003814	ROD-ORDUNO 5/8 INCH X 8 FOOT	2	Each
40003613	LINK-CONNECTING FOR POLE BANDS HUGHES 3152	32	Each
40002967	BOLT-MACHINE 7/8 X 3 GALVANIZED	14	Each
40004190	WASHER-ROUND 15/16 IN. (7/8)	14	Each
40003762	NUT-LOCK, MF IYPE 7/8 IN. SQUARE GALV.	14	Each
40003826	ROLLER-GUY FOR POLE BANDS HUGHES 28082	8	Each
40003519	GRIP-STEEL GUY 3/8 IN. GALVANIZED	32	Each
40004329	WIRE-GUY 3/8 IN.E.H.STRENGTH STEEL GALV.,FT.	600	FT
40006689	INSULATOR-STRAIN FIBERGLASS 30M#	8	Each
40003506	GUARD GUY, PLASTIC YELLOW.	8	Each
40002838	ATTACHMENT-TRIPLEYE 1" FOR ANCHOR RODS	4	Each
40002833	ROD-ANCHOR EXTENSION, 1" X 3-1/2 FOOT	4	Each
40002835	COUPLER-ANCHOR EXTENSION ROD, 1" SIZE	4	Each
40006640	ROD-ANCHOR EXT, 1" X 7 FT, CORR PROT	4	Each
40002832	ANCHOR-10 INCH DOUBLE HELIX	4	Each

DSGN	GC	01/04/22							
DRN	GC	01/04/22							
CKD	CA	01/04/22							
SCALE:	N.T.S.								
FOR 11x17 DWG ONLY									
REV	ISSUED FOR REVIEW	01/04/22	GC	GC					
	REVISIONS	DATE	DRN	DSGN	CKD	APPD	REFERENCE DRAWINGS		




IMPERIAL IRRIGATION DISTRICT
 92 kV "PW/ED" TRANSMISSION LINES
 MATERIAL LIST

JOB NUMBER	REV
60130961	△
DRAWING NUMBER	
ML-1	

STOCK#	DESCRIPTION	QTY	UNIT
40004739	POLE - WOOD - 7S FT. CL-H2	1	Each
40006018	SIGN-(HIGH VOLTAGE) YELLOW 4 X 30"	1	Each
40006828	HOLDER-MARKER, 8 POS. 8.2S X 1.67	1	Each
40006647	SIGN-POLE ATTENTION NO VALUE WIRE	1	Each
40003995	STRIP-VISIBILITY 2 X 14" TYPE-L YELLOW	6	Each
40003726	NAILS,ROOFING,GALV.(180 PCS/LB), EACH/LB	1	Each
40003574	INSULATOR-HORIZONTAL POST 11S KV POLYMER	3	Each
40003824	ROD-ALUMINUM ALLOY ARMOR 795 MCM ALUM.	3	Each
40002973	BOLT-MACHINE 7/8 X 18 GALV.	2	Each
40002970	BOLT-MACHINE 7/8 X 20 GALV	4	Each
40004196	WASHER-SQ CURVED 7/8 IN.-4 X 4 X 1/4 IN.	6	Each
40003766	WASHER-LOCK DBLE COIL SPRING 7/8" GALV	6	Each
40006508	CLIP-BONDING 7/8" FOR S/16" MAX WIRE DIA	3	Each
40003762	NUT-LOCK, MF TYPE 7/8 IN. SQUARE GALV.	6	Each
40003757	NUT-SQUARE MACHINE 7/8 INCH GALVANIZED	3	Each
40002864	BAND-POLE TOP STATIC WIRE 10 TO 13 INCH	1	Each
40003537	CLIP-GROUND WIRE ,3/8"	1	Each
40003119	CLAMP-SUSPENSION GUY WIRE	1	Each
40003372	AMPACT-CARTRIDGE-BLUE CATALOG NO. 669338--1	1	Each
40003381	AMPACT-ALUMINUM WIRE TAP 4/0-4, CATALOG NO. 6D04S6	1	Each
40003823	ROD-GALV STEEL PREFORMED 3/8" GUY WIRE	1	Each
40004221	WIRE-COPPER #4 SOL S.D. BARE SO LB COIL .1264 LBS PER FT	12	LBS
40003934	STAPLE-GROUND WIRE 1-1/4 X 1/2 COPPERWELD J-6493	140	Each
40006581	STAPLE-MOULDING BARBED GALV. 2" X S/8"	110	Each

STOCK#	DESCRIPTION	QTY	UNIT
40006582	MOULDING-GROUND WIRE PLASTIC 1/2" X 8'	9	Each
40006591	WIRE - COPPER WELD 2AWG STR 7W 40% CND	15	FT
40003263	CONNECTOR-COMPRESSION KEARNEY 302-82	6	Each
40002954	BOLT MACHINE S/8" X 22" GALVANIZED	1	Each
40004191	WASHER-SQUARE 11/16 IN. 2 X 2 X 1/8"	2	Each
40003540	CLIP-BONDING, HUGHES 2727.6	1	Each
40003755	NUT-SQUARE MACHINE S/8 IN. GALVANIZED	1	Each
40003760	NUT-LOCK, MF TYPE S/8 IN. SQUARE GALV	1	Each
40006725	CONNECTOR-COMPRESSION KEARNEY 304-82	1	Each
40004759	COVER-TRANSFORMER BOLT,CURVED PLASTIC	2	Each
40003117	CLAMP-GROUND ROD S/8 INCH	2	Each
40003814	ROD-GROUND 5/8 INCH X 8 FOOT	2	Each
NSI	ROAD BASE, WOOD POLE COMPACTION; CUBIC YARD.	1	Each
40002938	BOLT-MACHINE 1/2 X 6 GALVANIZED	4	Each
40002948	BOLT-MACHINE 5/8 X 10 GALVANIZED	2	Each
40002950	BOLT-MACHINE 5/8 X 14 GALVANIZED	2	Each
40003009	BRACE-REVERS. WOOD X-ARM 72 SP X22" DRP	4	Each
40003320	CROSSARM-10 FOOT 6-PI N PENTA TREATED	2	Each
40003561	INSULATOR-PIN IYPE F-NECK WHITE 55-4	2	Each
40003570	INSULATOR-PIN IYPE 14.4 KV F-NECK GREY	6	Each
40003759	NUT-LOCK, MF IYPE 1/2 IN. SQUARE GALV	4	Each
40003760	NUT-LOCK, MF IYPE 5/8 IN. SQUARE GALV	4	Each
40003763	WASHER-LOCK DBLE COIL SPRING 1/2 11 GALV	4	Each
40003764	WASHER-LOCK DBLE COIL SPRING 5/811 GALV	4	Each
40003790	PI N-1NSUL.LG SHANK 5/8X11-1/2" W/NUTS	8	Each
40006018	SIGN-(HIGH VOLTAGE) YELLOW 4 X 3011	1	Each
40003995	STRIP-VISIBILITY 2 X 1411 TYPE-L YELLOW	6	Each
40004187	WASHER-ROUND 9/16 r N. (1 2)	4	Each
40004191	WASHER-SQUARE 11/16 IN.-2 X 2 X 1/8 INCH	2	Each
30000210	POLE WOOD DISTRIBUTION 35 FT. CLASS 2	1	Each
40004194	WASHER-SQ CURVED 11/16 11 3 X 3 X 1/4 INCH	4	Each
30000265	WIRE OH DISTRIBUTION ALL SIZES	1	Each
30000263	TIE DISTRI BUTI ON (WRAP LOCK) ALL SIZES	1	Each
30000080	AMP OH PRIMARY CONNECTORS	1	Each
30000102	TIE OH SLACK SPAN	1	Each

SHEET 6/6

										DSGN GC 01/04/22 DRN GC 01/04/22 CKD CA 01/04/22		 IMPERIAL IRRIGATION DISTRICT SHOE FLY 92 KV "PW/ED" TRANSMISSION LINES MATERIAL LIST	JOB NUMBER 60130961	REV △
1	ISSUED FOR REVIEW	01/04/22	GC	GC							SCALE: N.T.S.		DRAWING NUMBER ML-1	
REV	REVISIONS	DATE	DRN	DSGN	CKD	APPD	REFERENCE DRAWINGS					FOR 11x17 DWG ONLY		

CONDUCTOR 795 AAC MCM ARBUTUS (PW Dogwood Rd.)

STR FROM	STR TO	CONDUCTOR	RULING SPAN	DESIGN TENSION															COMMENTS		
					50	55	60	65	70	75	80	85	90	95	100	105	110	115		120	
PW-0802	1243338	795 AAC			RECORD AND USE FOR CONSTRUCTION														EXISTING (FINAL)		
1243338	1243339	795 AAC	119	1500	856	809	769	732	700	672	647	623	603	583	566	550	535	521	509		
1243339	1243341	795 AAC	143	1500	906	866	830	797	768	741	717	695	675	657	639	623	608	594	581		
1243341	1243342	795 AAC	119	1500	856	809	767	731	700	671	645	622	601	582	565	549	534	520	507		
1243342	PW-0712	795 AAC			RECORD AND USE FOR CONSTRUCTION														EXISTING (FINAL)		

1																					
0	ISSUED FOR REVIEW	12/20/2021	GC	GC	CA	CB															
REV	REVISIONS	DATE	DRN	DSGN	CKD	APPD															

DSGN	GC	12/20/2021
DRN	GC	12/20/2021
CKD	CA	12/20/2021
SCALE:	N.T.S.	



IMPERIAL IRRIGATION DISTRICT
 SHOE FLY
 92 KV "PW/ED" TRANSMISSION LINES
 STRINGING CHART

SHEET 1/5
 DRAWING NUMBER SC-01

FOR 22x34 DWG ONLY

CONDUCTOR 397.5 AAC MCM CANNA (PW Dogwood Rd.)

STR FROM	STR TO	CONDUCTOR	RULING SPAN	DESIGN TENSION															COMMENTS		
					50	55	60	65	70	75	80	85	90	95	100	105	110	115		120	
PW-0802	1243338	397.5 AAC			RECORD AND USE FOR CONSTRUCTION														EXISTING (FINAL)		
1243338	1243339	397.5 AAC	119	1200	624	572	527	490	459	431	408	387	369	353	339	326	314	304	294		
1243339	1243341	397.5 AAC	143	1200	641	598	560	526	498	473	450	430	413	397	383	370	358	347	337		
1074000	1074002	397.5 AAC	119	1200	RECORD AND USE FOR CONSTRUCTION														EXISTING (FINAL)		
1243342	PW-734	397.5 AAC			RECORD AND USE FOR CONSTRUCTION														EXISTING (FINAL)		


A
B
C
D

FOR 22x34 DWG ONLY

3/8 E.H.S STATIC (PW Dogwood Rd.)

STR FROM	STR TO	CONDUCTOR	RULING SPAN	DESIGN TENSION																COMMENTS	
					50	55	60	65	70	75	80	85	90	95	100	105	110	115	120		
PW-0802	1243338	3/8 IN	68	500	314	296	278	263	250	238	227	217	209	201	193	187	181	175	170		
1243338	1243339	3/8 IN	119	1250	973	927	884	839	799	759	720	683	649	615	585	555	529	504	480		
1243339	1243341	3/8 IN	145	1250	968	925	883	844	805	770	735	701	670	641	613	587	563	540	519		
1243341	1243342	3/8 IN	114	500	345	333	322	312	303	294	286	279	271	265	259	253	247	242	237		
1243342	PW-0728	0.528			<u>RECORD AND USE FOR CONSTRUCTION</u>															EXISTING (FINAL)	

0	ISSUED FOR REVIEW	12/20/2021	GC	GC	CA	CB																			
REV	REVISIONS	DATE	DRN	DSGN	CKD	APPD	REFERENCE DRAWINGS																		

<table border="1" style="width: 100%; border-collapse: collapse;"> <tr><td style="width: 10%;">DSGN</td><td style="width: 10%;">GC</td><td style="width: 10%;">12/20/2021</td></tr> <tr><td>DRN</td><td>GC</td><td>12/20/2021</td></tr> <tr><td>CKD</td><td>CA</td><td>12/20/2021</td></tr> <tr><td colspan="3">SCALE: N.T.S.</td></tr> </table>	DSGN	GC	12/20/2021	DRN	GC	12/20/2021	CKD	CA	12/20/2021	SCALE: N.T.S.			 <p>IMPERIAL IRRIGATION DISTRICT SHOE FLY 92 KV "PW/ED" TRANSMISSION LINES</p>	<p>SHEET 3/5</p>	<p>REV 1</p>
DSGN	GC	12/20/2021													
DRN	GC	12/20/2021													
CKD	CA	12/20/2021													
SCALE: N.T.S.															
<p>STRINGING CHART</p>			<p>DRAWING NUMBER SC-01</p>												

FOR 22x34 DWG ONLY

CONDUCTOR 795 AAC MCM ARBUTUS (ED DOGWOOD RD)

STR FROM	STR TO	CONDUCTOR	RULING SPAN	DESIGN TENSION															COMMENTS		
					50	55	60	65	70	75	80	85	90	95	100	105	110	115		120	
PW-0802	1243346	795 AAC			RECORD AND USE FOR CONSTRUCTION														EXISTING (FINAL)		
1243346	1243347	795 AAC	119	1500	835	791	752	717	688	660	636	614	594	576	559	543	529	516	503		
1243347	1243349	795 AAC	159	1500	919	883	851	823	796	772	750	729	710	692	676	661	646	632	619		
1243349	1243350	795 AAC	119	1500	865	818	776	740	708	679	653	630	608	589	571	555	540	526	513		
1243350	PW-0712	795 AAC			RECORD AND USE FOR CONSTRUCTION														EXISTING (FINAL)		

1																						
0	ISSUED FOR REVIEW	12/20/2021	GC	GC	CA	CB																
REV	REVISIONS	DATE	DRN	DSGN	CKD	APPD																

DSGN	GC	12/20/2021
DRN	GC	12/20/2021
CKD	CA	12/20/2021
SCALE:	N.T.S.	
FOR 22x34 DWG ONLY		



IMPERIAL IRRIGATION DISTRICT	SHEET 4/5	REV △
92 KV "PW/ED" TRANSMISSION LINES	DRAWING NUMBER SC-01	
STRINGING CHART		

3/8 E.H.S STATIC (ED Dogwood Rd.)

STR FROM	STR TO	CONDUCTOR	RULING SPAN	DESIGN TENSION																COMMENTS
					50	55	60	65	70	75	80	85	90	95	100	105	110	115	120	
PW-0802	1243338	3/8 IN	54	500	301	278	258	241	225	212	200	190	181	172	165	159	153	147	143	
1243338	1243339	3/8 IN	119	1250	968	922	879	834	794	754	715	678	644	612	581	552	526	500	478	
1243339	1243341	3/8 IN	159	1250	965	925	887	847	812	777	744	713	683	655	628	604	580	559	539	
1243341	1243342	3/8 IN	120	500	343	333	323	314	305	297	289	282	275	269	263	257	252	247	242	
1243342	124343	3/8 IN		500	343	332	322	312	303	295	287	280	273	267	261	256	250	245	241	